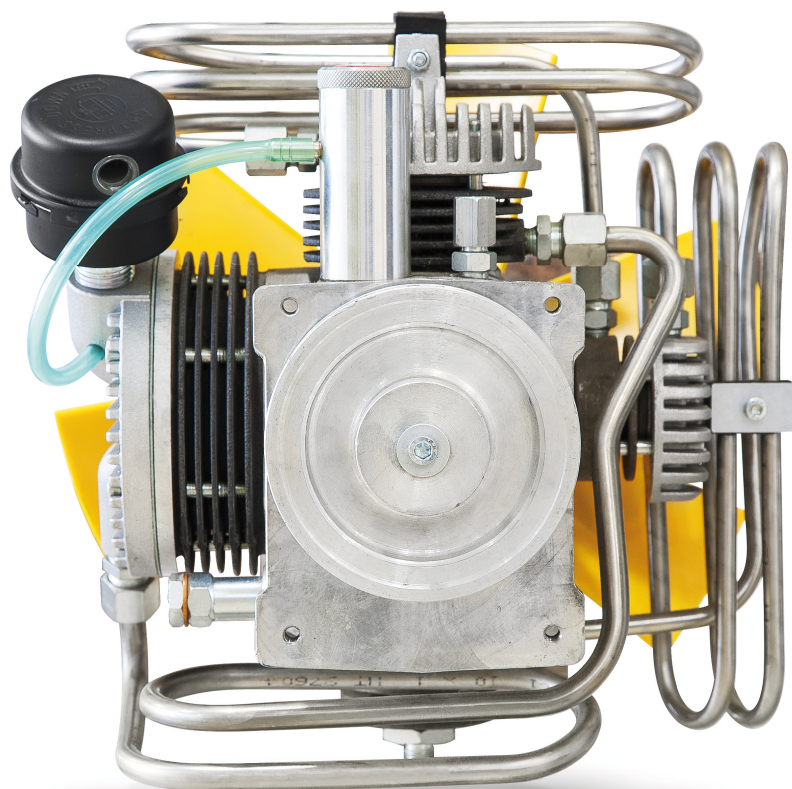


Italiano   
English 



HIGH PRESSURE COMPRESSORS FOR PURE BREATHING AIR AND TECHNICAL GASES  
COMPRESSORE AD ALTA PRESSIONE PER ARIA RESPIRABILE E GAS TECNICI



**CATALOGO RICAMBI CON TUTTI I CODICI  
SPARE PARTS LIST WITH ALL CODES**

---

# MCH-6



I prezzi indicati nel presente listino sono IVA ESCLUSA.  
La resa della merce È FRANCO nostra fabbrica - trasporto escluso.  
*All prices herewith listed are vat excluded.*  
*Delivery terms : ex work our company.*

Indice - Index		pag.
Flange - Ventola	Flange - Cooling fan	4
Collo d'oca	Crankshaft	6
1° Stadio	1 <sup>st</sup> Stage	8
2° Stadio	2 <sup>nd</sup> Stage	10
3° Stadio	3 <sup>rd</sup> Stage	12
4° Stadio	4 <sup>th</sup> Stage	14
Circuito di Pressione	Pressure Circuit	16
Separatore di condensa	Condensate separator	18
Filtro	Filter	20
Telaio Basic	Basic Frame	22
Telaio Compact	Compact Frame	24
Targhette di sicurezza	Safety info labels	26
Motore/Puleggia/Cinghia	Engine/Pulley/Transmission belt	28
Attacchi per ricarica bombole	Refill connectors	30
Olio di lubrificazione e grasso al silicone	Lubrication oil and silicone grease	30
Scarico condensa automatico con timer	Autodrain with timer	32
Spegnimento automatico	Autostop	32
Guarnizioni gruppo pompante MCH-6	Gaskets pumping group MCH-6	34

Distinta List	Modello Model	Codice Code
<b>GRUPPO POMPANTE PUMPING GROUP</b>		<b>SC000160</b>

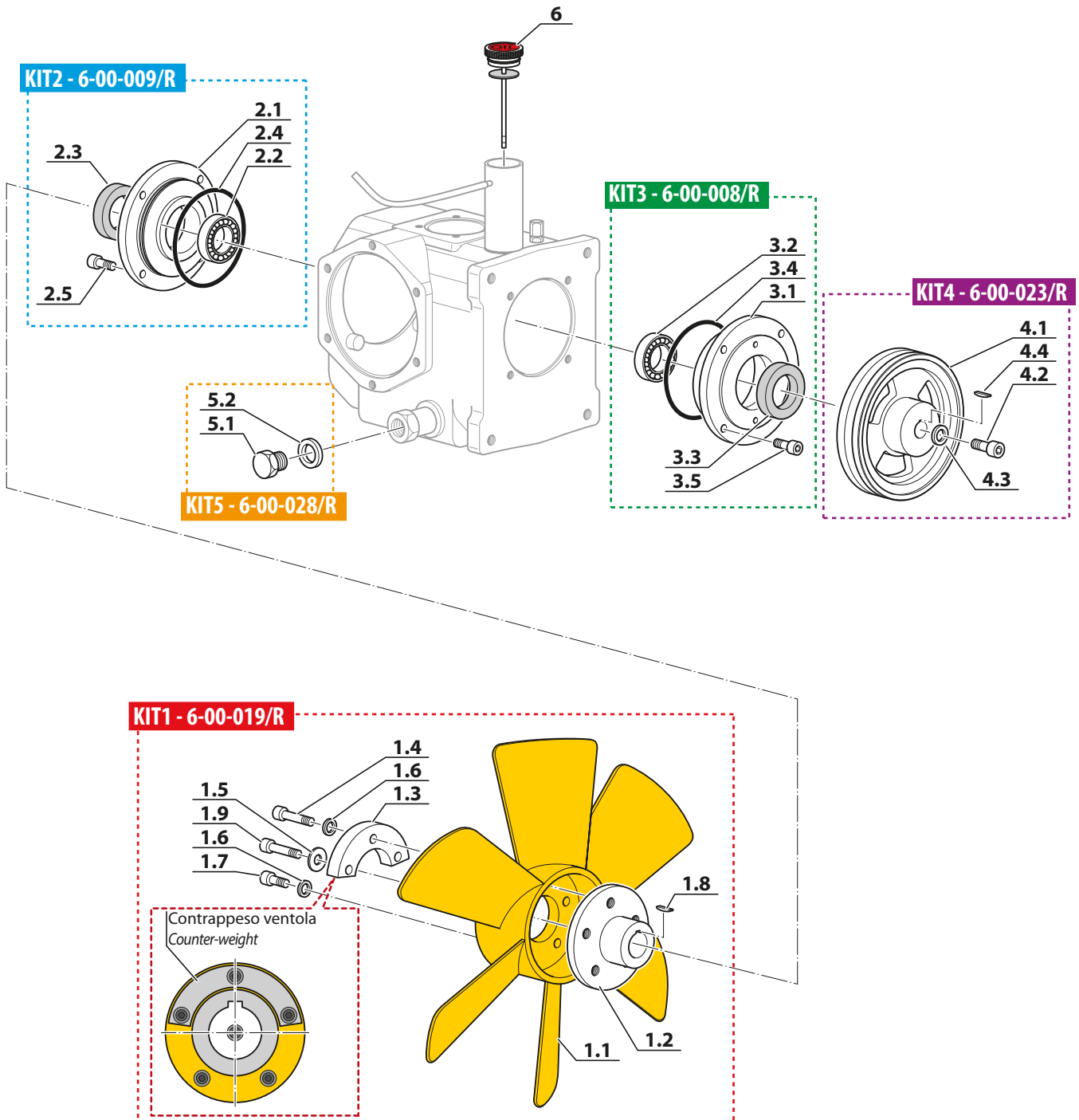
I dati riportati nel presente catalogo non sono impegnativi. AEROTECNICA COLTRI SpA si riserva di modificare i dati in qualsiasi momento.  
 AEROTECNICA COLTRI SpA reserves the right of amending the data contained in this catalogue at any time.

**FLANGE/VENTOLA - FLANGE/COOLING FAN**

Rif. Pos.	Q.tà Q.ty	Codice Code	Descrizione	Description
<b>KIT1</b>	<b>1</b>	<b>6-00-019/R</b>	<b>KIT VENTOLA</b>	<b>COOLING FAN KIT</b>
1.1	1	6-00-019	VENTOLA	COOLING FAN
1.2	1	6-00-012	FLANGIA VENTOLA	COOLING FAN FLANGE
1.3	1	6-00-021	CONTRAPPESO VENTOLA	COUNTER-WEIGHT
1.4	3	VITE0630T	VITE T.C.E. ZINC. TRILOBATA 8.8 6x30 DIN912	SCREW T.C.E. ZINC. 6X30 DIN 912
1.5	1	RON0618Z	RONDELLA PIANA ZINC. M6 (6,5x18x2)	WASHER 6,5x18x2 FLAT ZINC
1.6	5	RON6Z	RONDELLA PIANA ZINC. M6 DIN 125A (6,5x12,5x1,5)	WASHER 6.5X12.5X1.5 ZINC
1.7	2	VITE0620T	VITE T.C.E. ZINC. TRILOBATA C15 6x20 DIN912	SCREW T.C.E. ZINC. 6X20 DIN 912
1.8	1	6-00-006	CHIAVETTA	KEY
1.9	1	13-00-0087	VITE T.C.E. ZINC. 6x30 DIN912	SCREW T.C.E. ZINC. 6x30 DIN 912
<b>KIT2</b>	<b>1</b>	<b>6-00-009/R</b>	<b>KIT FLANGIA GRANDE</b>	<b>LARGE FLANGE KIT</b>
2.1	1	6-00-009	FLANGIA GRANDE	LARGE FLANGE
2.2	1	6-00-011	CUSCINETTO 6302	BEARING 6302
2.3	1	6-00-013	PARAOILIO 14X35X7	OIL SEAL 14X35X7
2.4	1	OR-2300	OR 2300 NBR 90SH	O-RING 2300 NBR 90SH
2.5	4	VITE0616	VITE TCE 6X16	SCREW TCE 6X16
<b>KIT3</b>	<b>1</b>	<b>6-00-008/R</b>	<b>KIT FLANGIA PICCOLA</b>	<b>SMALL FLANGE KIT</b>
3.1	1	6-00-008	FLANGIA PICCOLA	SMALL FLANGE
3.2	1	6-00-011	CUSCINETTO 6302	BEARING 6302
3.3	1	6-00-004	PARAOILIO 15X35X7	OIL SEAL 15X35X7
3.4	1	OR-2250	OR 2250 NBR 90SH	O-RING 2250 NBR 90SH
3.5	4	VITE0616	VITE TCE 6X16	SCREW TCE 6X16
<b>KIT4</b>	<b>1</b>	<b>6-00-023/R</b>	<b>KIT PULEGGIA DIAM.100</b>	<b>100MM PULLEY KIT</b>
4.1	1	6-00-023	PULEGGIA DIAM.100	PULLEY DIAM.100
4.2	1	VITE0616	VITE TCE 6X16	SCREW TCE 6X16
4.3	1	RON0618Z	RONDELLA 6X18X1,5 PIANA ZINC	WASHER 6X18X1.5 FLAT ZINC
4.4	1	6-00-006	CHIAVETTA	KEY
<b>KIT5</b>	<b>1</b>	<b>6-00-028/R</b>	<b>KIT TAPPO SCARICO OLIO 1/4</b>	<b>KIT OIL DRAIN PLUG</b>
5.1	1	6-00-028	TAPPO SCARICO OLIO 1/4	OIL DRAIN PLUG
5.2	1	GUAR1319	GUARNIZIONE RAME 1/4	OIL DRAIN COPPER GASKET
6	1	6-00-014/R	TAPPO LIVELLO OLIO	OIL DIPSTICK



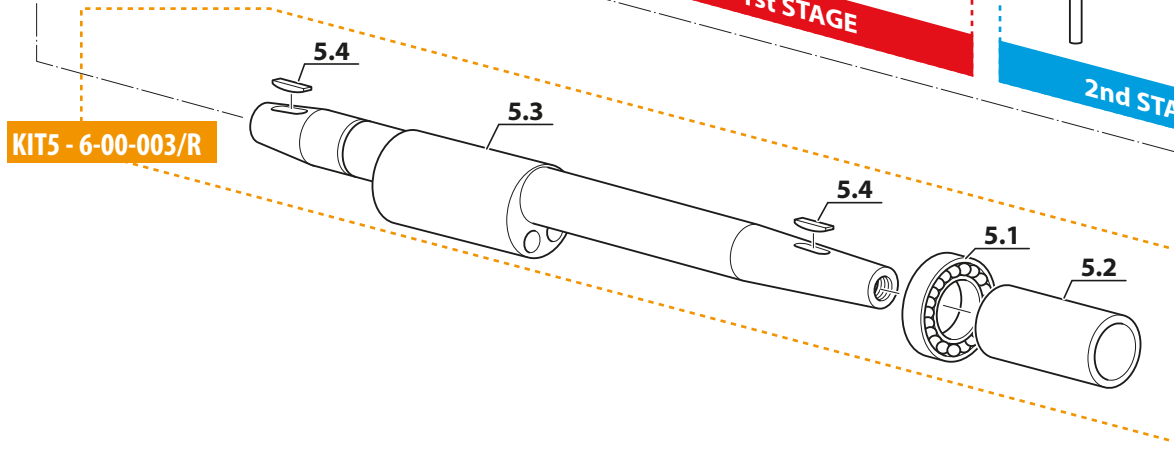
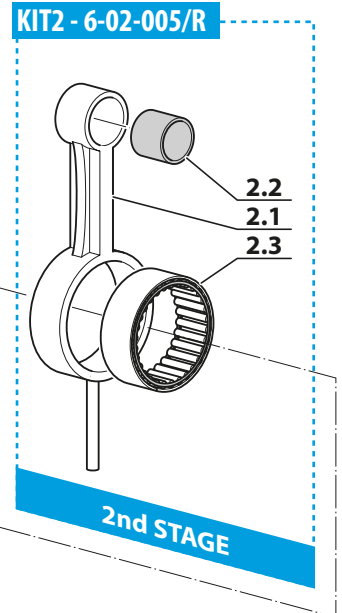
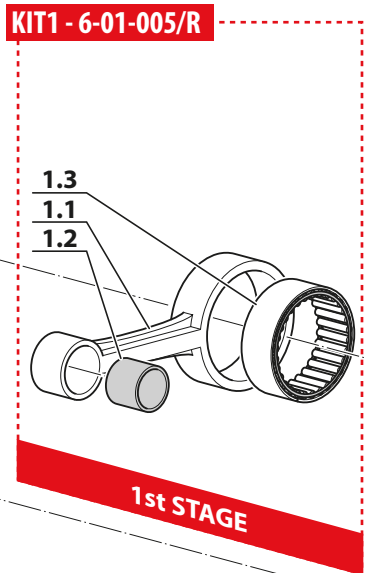
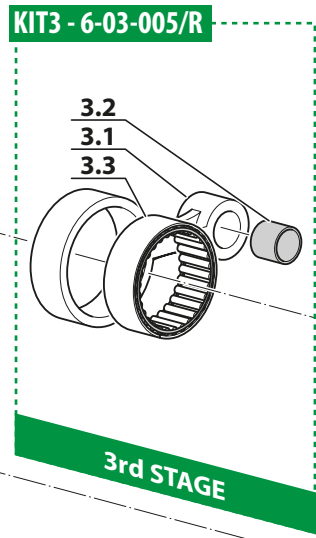
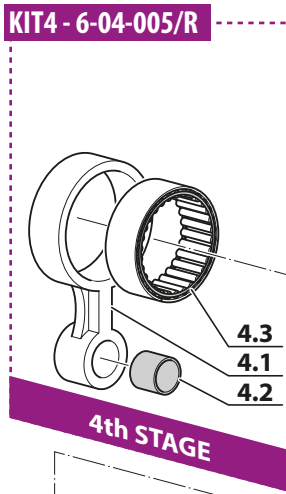
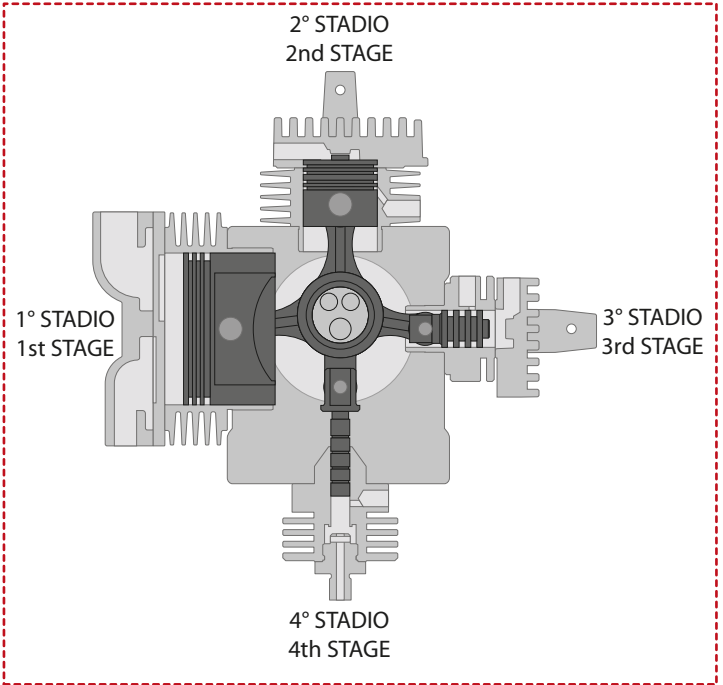
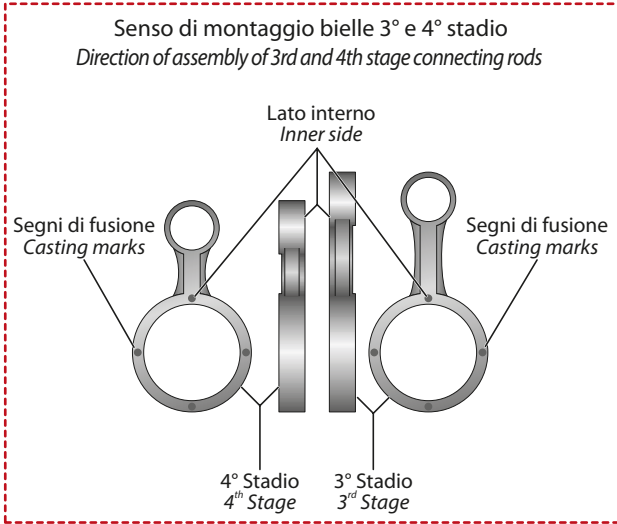
**FLANGE/VENTOLA - FLANGE/COOLING FAN**



## COLLO D'OCA - CRANKSHAFT

Rif. Pos.	Q.tà Q.ty	Codice Code	Descrizione	Description
<b>KIT1</b>	<b>1</b>	<b>6-01-005/R</b>	<b>KIT BIELLA 1°STADIO</b>	<b>1ST STAGE CONNECTING ROD KIT</b>
1.1	1	6-01-005	BIELLA 1°STADIO	CONNECTING ROD 1ST STAGE
1.2	1	BRONZ/12-15-12	BRONZINA A 12-15-12	BRONZE BUSH A 12-15-12
1.3	1	6-01-006	CUSCINETTO SCE 188	BEARING SCE 188
<b>KIT2</b>	<b>1</b>	<b>6-02-005/R</b>	<b>KIT BIELLA 2°STADIO</b>	<b>2ND STAGE CONNECTING ROD KIT</b>
2.1	1	6-02-005	BIELLA 2°STADIO	CONNECTING ROD 2ND STAGE
2.2	1	BRONZ/12-15-12	BRONZINA A 12-15-12	BRONZE BUSH A 12-15-12
2.3	1	6-01-006	CUSCINETTO SCE 188	BEARING SCE 188
<b>KIT3</b>	<b>1</b>	<b>6-03-005/R</b>	<b>KIT BIELLA 3°STADIO</b>	<b>3RD STAGE CONNECTING ROD KIT</b>
3.1	1	6-03-005	BIELLA 3°STADIO	CONNECTING ROD 3RD STAGE
3.2	1	BRONZ/7-10-10	BRONZINA A 7-10-10	BRONZE BUSH A 7-10-10
3.3	1	6-01-006	CUSCINETTO SCE 188	BEARING SCE 188
<b>KIT4</b>	<b>1</b>	<b>6-04-005/R</b>	<b>KIT BIELLA 4°STADIO</b>	<b>4TH STAGE CONNECTING ROD KIT</b>
4.1	1	6-04-005	BIELLA 4°STADIO	CONNECTING ROD 4TH STAGE
4.2	1	BRONZ/7-10-10	BRONZINA A 7-10-10	BRONZE BUSH A 7-10-10
4.3	1	6-01-006	CUSCINETTO SCE 188	BEARING SCE 188
<b>KIT5</b>	<b>1</b>	<b>6-00-003/R</b>	<b>KIT COLLO D'OCA</b>	<b>CRANKSHAFT KIT</b>
5.1	1	6-00-011	CUSCINETTO 6302	BEARING 6302
5.2	1	6-00-031/L	DISTANZIALE COLLO D'OCA MCH6	LONG SPACER
5.3	1	6-00-003	COLLO D'OCA	CRANKSHAFT
5.4	2	6-00-006	CHIAVETTA	KEY

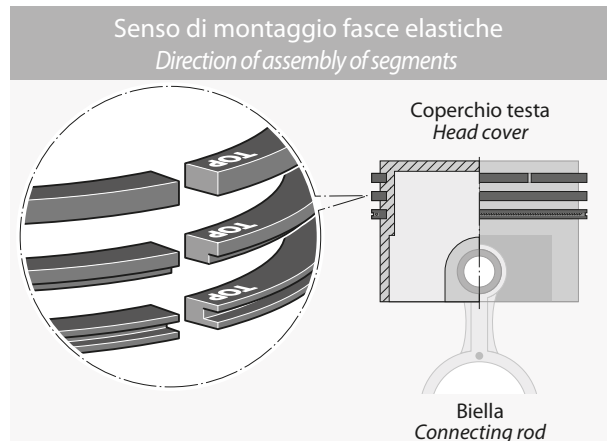
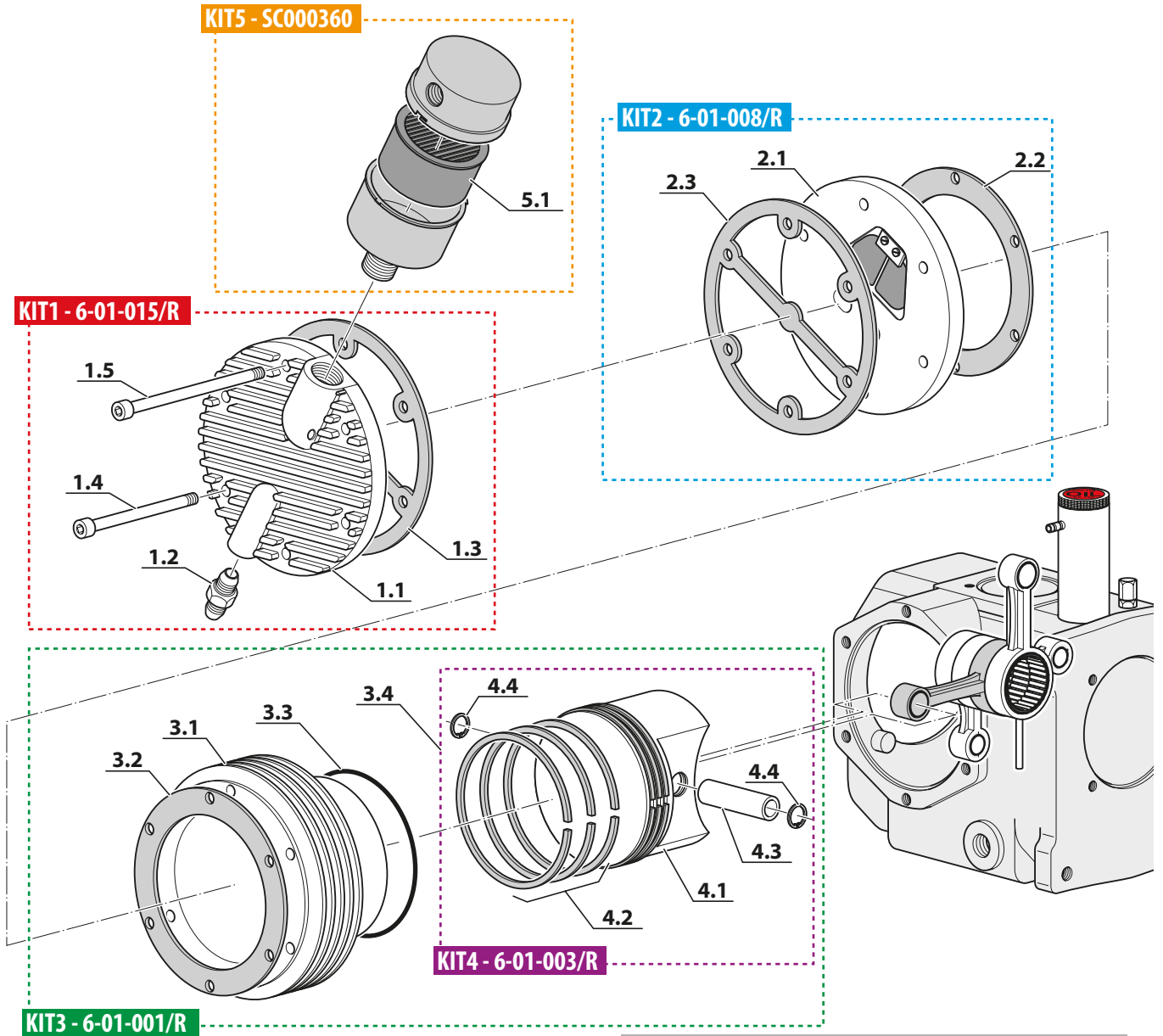
**COLLO D'OCA - CRANKSHAFT**



**1° STADIO - 1<sup>ST</sup> STAGE**

Rif. Pos.	Q.tà Q.ty	Codice Code	Descrizione	Description
<b>KIT1</b>	<b>1</b>	<b>6-01-015/R</b>	<b>KIT COPERCHIO 1°STADIO</b>	<b>1ST STAGE CYLINDER HEAD COVER KIT</b>
1.1	1	6-01-015	COPERCHIO TESTA 1°STADIO	CYLINDER HEAD COVER 1ST STAGE
1.2	1	13-00-0178E	RACCORDO 1/4NPT TUBO 10 ERM	CONNECTION 1/4NPT - 10MM TUBE
1.3	1	6-01-025	GUARNIZIONE COPERCHIO	CYLINDER HEAD COVER GASKET
1.4	5	VITE0660	VITE TCE 6X60	SCREW TCE 6X60
1.5	1	VITE0670	VITE TCE 6X70	SCREW TCE 6X70
<b>KIT2</b>	<b>1</b>	<b>6-01-008/R</b>	<b>KIT TESTA 1°STADIO</b>	<b>1ST STAGE CYLINDER HEAD KIT</b>
2.1	1	6-01-008	CORPO TESTA 1°STADIO	CYLINDER HEAD 1ST STAGE
2.2	1	6-01-009	GUARNIZIONE TESTA	CYLINDER HEAD GASKET
2.3	1	6-01-025	GUARNIZIONE COPERCHIO	CYLINDER HEAD COVER GASKET
<b>KIT3</b>	<b>1</b>	<b>6-01-001/R</b>	<b>KIT 1°STADIO</b>	<b>1ST STAGE KIT</b>
3.1	1	6-01-001	CILINDRO 1°STADIO DIAM.78	1ST STAGE CYLINDER 78MM DIAMETER
3.2	1	6-01-009	GUARNIZIONE TESTA	CYLINDER HEAD GASKET
3.3	1	OR-2325	OR 82,28X1,78 NBR 90SH	O-RING 82,28X1.78 NBR 90SH
3.4	1	6-01-003/R	KIT PISTONE 1°STADIO	1ST STAGE PISTON KIT
<b>KIT4</b>	<b>1</b>	<b>6-01-003/R</b>	<b>KIT PISTONE 1°STADIO</b>	<b>1ST STAGE PISTON KIT</b>
4.1	1	6-01-003	PISTONE 1°STADIO CON SEGMENTI	1ST STAGE PISTON WITH RING SET
4.2	1	6-01-003/S	SERIE SEGMENTI PISTONE DIAM.78	PISTON DIAM. 78 RING SET
4.3	1	6-01-026	SPINOTTO PISTONE 1° STADIO MCH-6	1ST STAGE PISTON PIN
4.4	2	6-01-027	SEEGER	SEEGER
<b>KIT5</b>	<b>1</b>	<b>SC000360</b>	<b>KIT CARTUCCIA FILTRO ASPIRAZIONE</b>	<b>CARTRIDGE AIR INTAKE FILTER KIT</b>
5.1	1	SC000345	CARTUCCIA FILTRO ASPIRAZIONE	CARTRIDGE AIR INTAKE FILTER

**1° STADIO - 1<sup>ST</sup> STAGE**

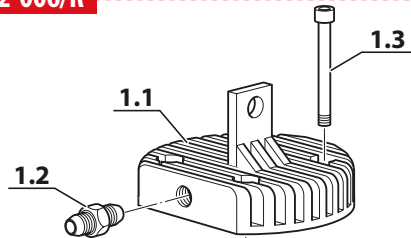


## 2° STADIO - 2ND STAGE

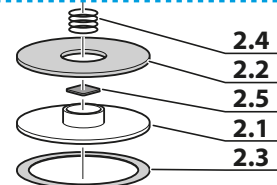
Rif. Pos.	Q.tà Q.ty	Codice Code	Descrizione	Description
<b>KIT1</b>	<b>1</b>	<b>6-02-006/R</b>	<b>KIT TESTA 2° STADIO</b>	<b>2ND STAGE CYLINDER HEAD KIT</b>
1.1	1	6-02-006	TESTA 2°STADIO	CYLINDER HEAD 2ND STAGE
1.2	1	13-04-0175E	RACC.1/8 NPT TUBO 8 ERMETO	CONNECTION 1/8NPT - 8MM TUBE
1.3	4	VITE0660	VITE T.C.E. ZINC. 6X60 DIN912	SCREW T.C.E. ZINC. 6X60 DIN912
<b>KIT2</b>	<b>1</b>	<b>6-02-008/R</b>	<b>KIT CORPO VALVOLA 2° STADIO</b>	<b>2ND STAGE VALVE KIT</b>
2.1	1	6-02-008	CORPO VALVOLA 2°STADIO	2ND STAGE VALVE BODY
2.2	1	6-02-004	GUARNIZ RAME SUP 45X20X0,3	COPPER WASHER 45X20X0.3
2.3	1	6-02-007	GUARNIZ RAME INF 51X40X0,3	COPPER WASHER 51X40X0.3
2.4	1	6-02-010	MOLLA	SPRING
2.5	1	6-02-009	DISCO VALVOLA (PIASTRINA)	VALVE PLATE
<b>KIT3</b>	<b>1</b>	<b>6-02-001/R</b>	<b>KIT CILINDRO 2° STADIO</b>	<b>2ND STAGE CYLINDER KIT</b>
3.1	1	6-02-001	CILINDRO 2°STADIO DIAM.38	2ND STAGE CYLINDER 38MM DIAMETER
3.2	1	OR-2162	OR 41X1,78 NBR 90SH	O-RING 41X1.78 NBR 90SH
3.3	1	6-02-011E	RACC.1/8 NPT TUBO 10 ERMETO	CONNECTION 1/8NPT - 10MM TUBE
3.4	1	6-02-003/R	KIT PISTONE 2° STADIO	2ND STAGE PISTON KIT
<b>KIT4</b>	<b>1</b>	<b>6-02-003/R</b>	<b>KIT PISTONE 2° STADIO</b>	<b>2ND STAGE PISTON KIT</b>
4.1	1	6-02-003	PISTONE 2°STADIO	2ND STAGE PISTON
4.2	1	6-02-003/S	SERIE SEGMENTI PISTONE DIAM.38	PISTON RING 2ST STAGE DIA38MM MCH/6
4.3	1	6-02-002	SPINOTTO PISTONE II° STADIO MCH-6	2ND STAGE PISTON PIN
4.4	2	6-02-012	SEEGER	SEEGER

**2° STADIO - 2<sup>ND</sup> STAGE**

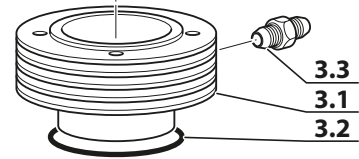
**KIT1 - 6-02-006/R**



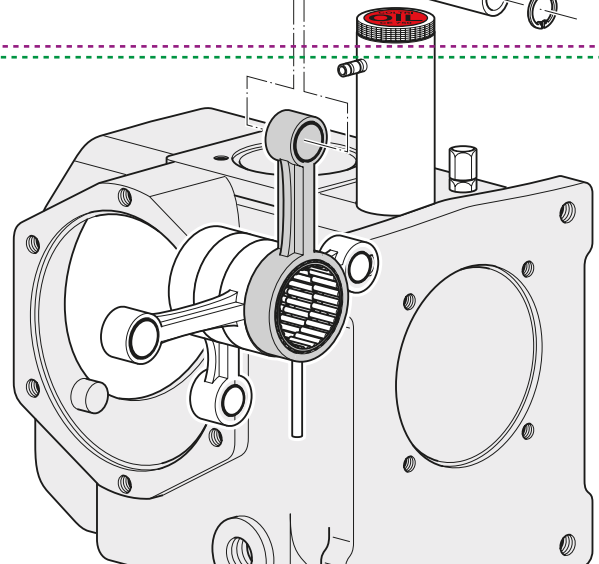
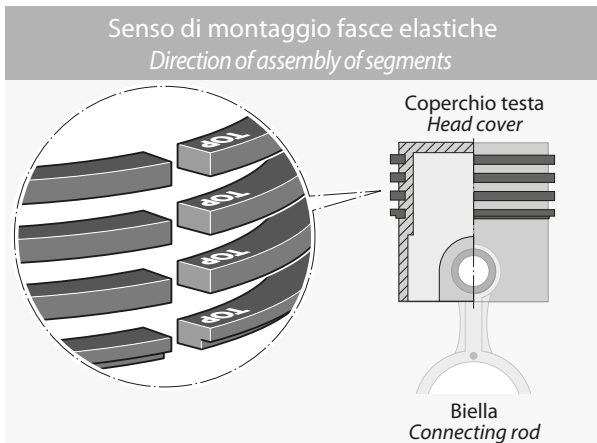
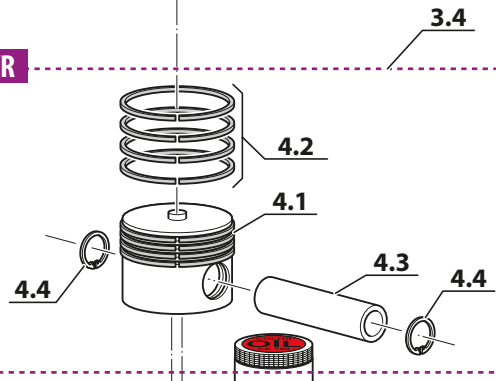
**KIT2 - 6-02-008/R**



**KIT3 - 6-02-001/R**



**KIT4 - 6-02-003/R**



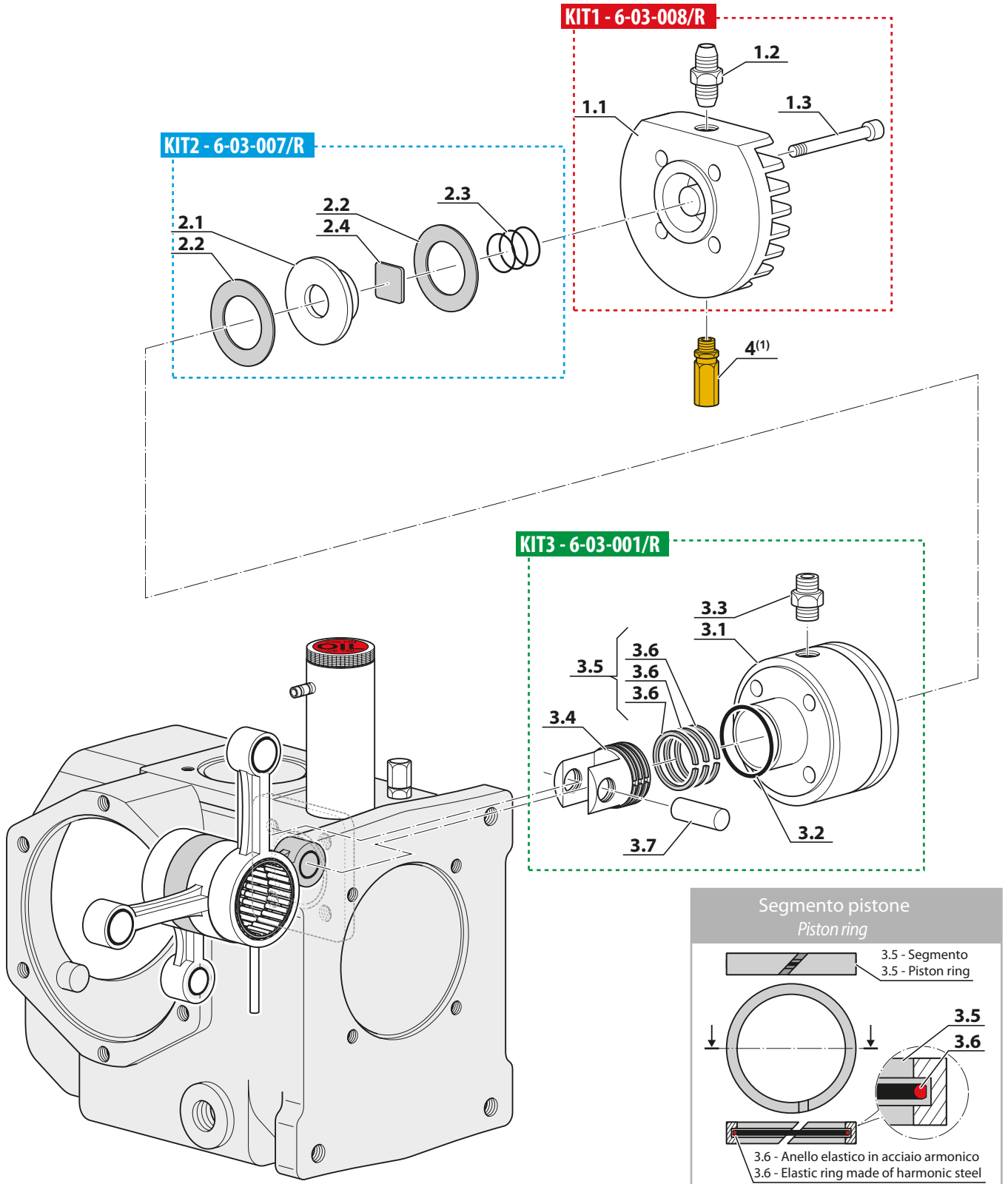


### 3° STADIO - 3<sup>RD</sup> STAGE

Rif. Pos.	Q.tà Q.ty	Codice Code	Descrizione	Description
<b>KIT1</b>	<b>1</b>	<b>6-03-008/R</b>	<b>KIT TESTA 3° STADIO</b>	<b>3RD STAGE CYLINDER HEAD KIT</b>
1.1	1	6-03-008	TESTA 3°STADIO	CYLINDER HEAD 3RD STAGE
1.2	1	13-04-0175E	RACC.1/8 NPT TUBO 8 ERMETO	CONNECTION 1/8NPT - 8MM TUBE
1.3	4	VITE0655	VITE T.C.E. ZINC. 6X55 DIN912	SCREW T.C.E. ZINC. 6X55 DIN912
<b>KIT2</b>	<b>1</b>	<b>6-03-007/R</b>	<b>KIT CORPO VALVOLA 3° STADIO</b>	<b>3RD STAGE VALVE KIT</b>
2.1	1	6-03-007	CORPO VALVOLA 3°STADIO	3RD STAGE VALVE BODY
2.2	1	6-03-009	GUARNIZIONE RAME	COPPER WASHER
2.3	1	6-02-010	MOLLA	SPRING
2.4	1	6-02-009	DISCO VALVOLA (PIASTRINA)	VALVE PLATE
<b>KIT3</b>	<b>1</b>	<b>6-03-001/R</b>	<b>KIT CILINDRO 3° STADIO</b>	<b>3RD STAGE CYLINDER KIT</b>
3.1	1	6-03-001	CILINDRO 3°STADIO (*)	3RD STAGE CYLINDER (*)
3.2	1	OR-2093	OR 23,52X1,78 NBR 90SH	O-RING 23.52X1.78 NBR 90SH
3.3	1	13-04-0175E	RACC.1/8 NPT TUBO 8 ERMETO	CONNECTION 1/8NPT - 8MM TUBE
3.4	1	6-03-003	PISTONE 3°STADIO (*)	3RD STAGE PISTON (*)
3.5	1	6-03-004	SERIE SEGMENTI 3°STADIO	PISTON RING SET
3.6	1	6-03-010	ANELLO ELASTICO X SEGMENTI	PISTON RING
3.7	1	6-03-006	SPINOTTO 3°STADIO 7X17	RETAINING PIN 3RD STAGE 7X17
4	1	6-05-121	VALVOLA DI SICUREZZA III STADIO 100BAR MCH-6	3RD STAGE SAFETY VALVE MCH-6

Non vendibile singolarmente (\*)  
 Not for sale individually (\*)

**3° STADIO - 3<sup>RD</sup> STAGE**



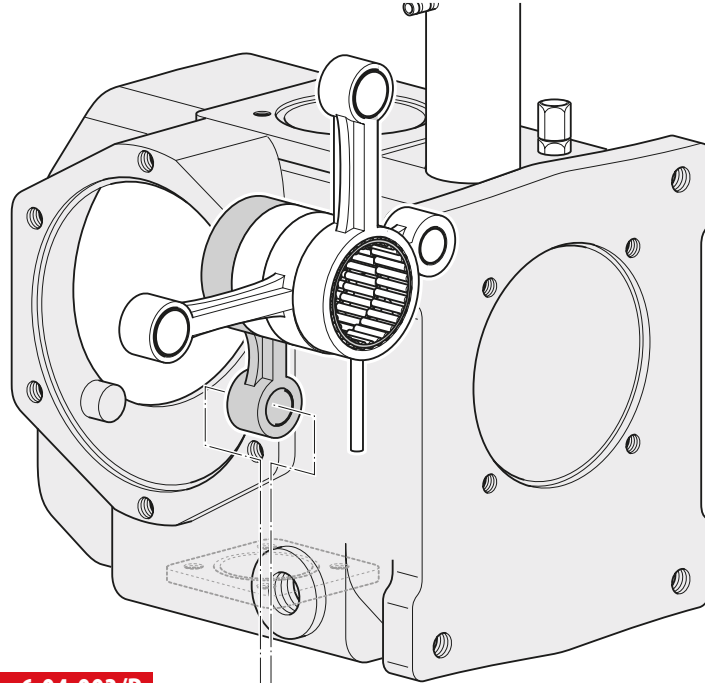
4<sup>(1)</sup> La valvola deve essere stretta con una coppia di serraggio di **20Nm** - The valve must be tightened with a torque of **20Nm**

**4° STADIO - 4TH STAGE**

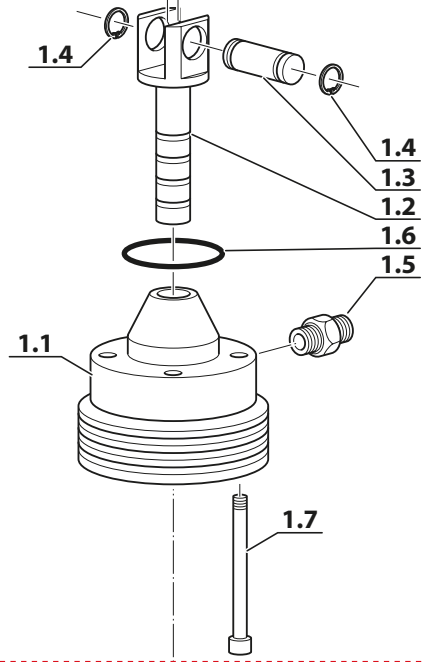
Rif. Pos.	Q.tà Q.ty	Codice Code	Descrizione	Description
<b>KIT1</b>	<b>1</b>	<b>6-04-003/R</b>	<b>KIT CILINDRO 4°STADIO</b>	<b>4TH STAGE CYLINDER KIT</b>
1.1	1	6-04-003	CILINDRO 4°STADIO (*)	4TH STAGE CYLINDER (*)
1.2	1	6-04-004	PISTONE 4°STADIO (*)	4TH STAGE PISTON (*)
1.3	1	6-04-006	SPINOTTO 4°STADIO 7X22	RETAINING PIN 3RD STAGE 7X22
1.4	1	SEEGERJ7	SEEGER J7	RING J7
1.5	1	13-04-0175E	RACC.1/8 NPT TUBO 8 ERMETO	CONNECTION 1/8NPT - 8MM TUBE
1.6	1	OR-2106	OR 26,7X1,78 NBR 90SH	O-RING 26.7X1.78 NBR 90SH
1.7	4	13-00-0041	VITE TCE 6X25 ZINC	SCREW TCE 6X25 ZINC
<b>KIT2</b>	<b>1</b>	<b>6-04-007/R</b>	<b>KIT TESTA 4°STADIO</b>	<b>4TH STAGE CYLINDER HEAD KIT</b>
2.1	1	6-04-007E	TESTA 4°STADIO	4TH STAGE CYLINDER HEAD
2.2	1	6-04-008	GUARN.RAME 18X26X1,5	COPPER WASHER 18X26X1.5
2.3	1	6-02-010	MOLLA	SPRING
2.4	1	6-02-009	DISCO VALVOLA (PIASTRINA)	VALVE PLATE

Non vendibile singolarmente (\*)  
 Not for sale individually (\*)

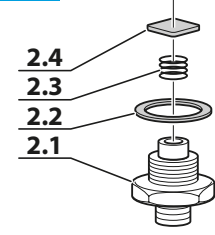
**4° STADIO - 4TH STAGE**



**KIT1 - 6-04-003/R**



**KIT2 - 6-04-007/R**



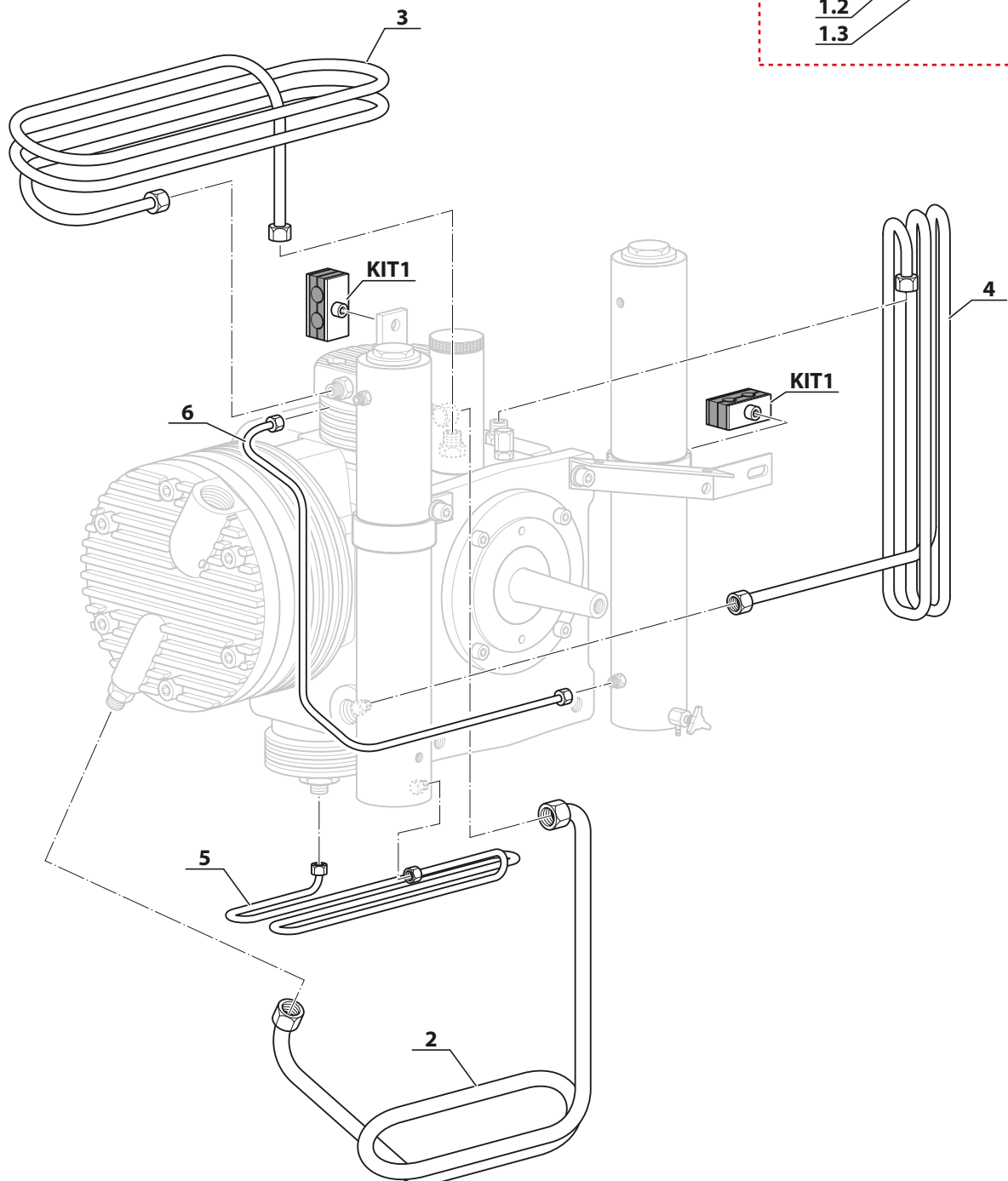
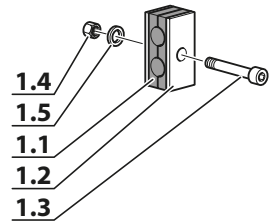
**CIRCUITO DI PRESSIONE - PRESSURE CIRCUIT**

Rif. Pos.	Q.tà Q.ty	Codice Code	Descrizione	Description
<b>KIT1</b>	<b>1</b>	<b>13-00-0135/R</b>	<b>KIT STAFFA PORTATUBO Ø6</b>	<b>RETAINING PIN Ø6 KIT</b>
1.1	1	13-00-0134/1/1	BLOCCHETTO GOMMA ANTIVIBR.	ANTI VIBRATION BLOCK
1.2	1	13-00-0135	STAFFA PORTATUBO DIAM.6	RETAINING PIN 6MM
1.3	1	VITE0525Z	VITE TCE ZINC 5X25	SCREW TCE 5X25 ZINC
1.4	1	DA005	DADO M5 AUTOBLOCCANTE	SELF-LOCKING NUT M5
1.5	1	RON05	RONDELLA PIANA ZINC M5	ZINC WASHER M5
2	1	6-01-019/R (*)	TUBO Ø10 INOX 1° STADIO - 2° STADIO	TUBE Ø10 INOX 1st STAGE - 2nd STAGE
3	1	6-02-014A/R (*)	TUBO Ø8 INOX 2° STADIO - 3° STADIO	TUBE Ø8 INOX 2nd STAGE - 3rd STAGE
4	1	6-02-014/R (*)	TUBO Ø8 INOX 3° STADIO - 4° STADIO	TUBE Ø8 INOX 3rd STAGE - 4th STAGE
5	1	6-05-013E/R (*)	TUBO Ø6 INOX 4° STADIO - SEPARATORE CONDENSA	TUBE Ø6 INOX 4th STAGE - CONDENSATE SEPARATOR
6	1	6-05-007E/R (*)	TUBO Ø6 INOX SEPARATORE CONDENSA - FILTRO	TUBE Ø6 INOX CONDENSATE SEPARATOR - FILTER

Tubi con dadi e ogive (\*)  
 Tubes with nuts and cap (\*)

**CIRCUITO DI PRESSIONE - PRESSURE CIRCUIT**

**KIT1 - 13-00-0135/R**

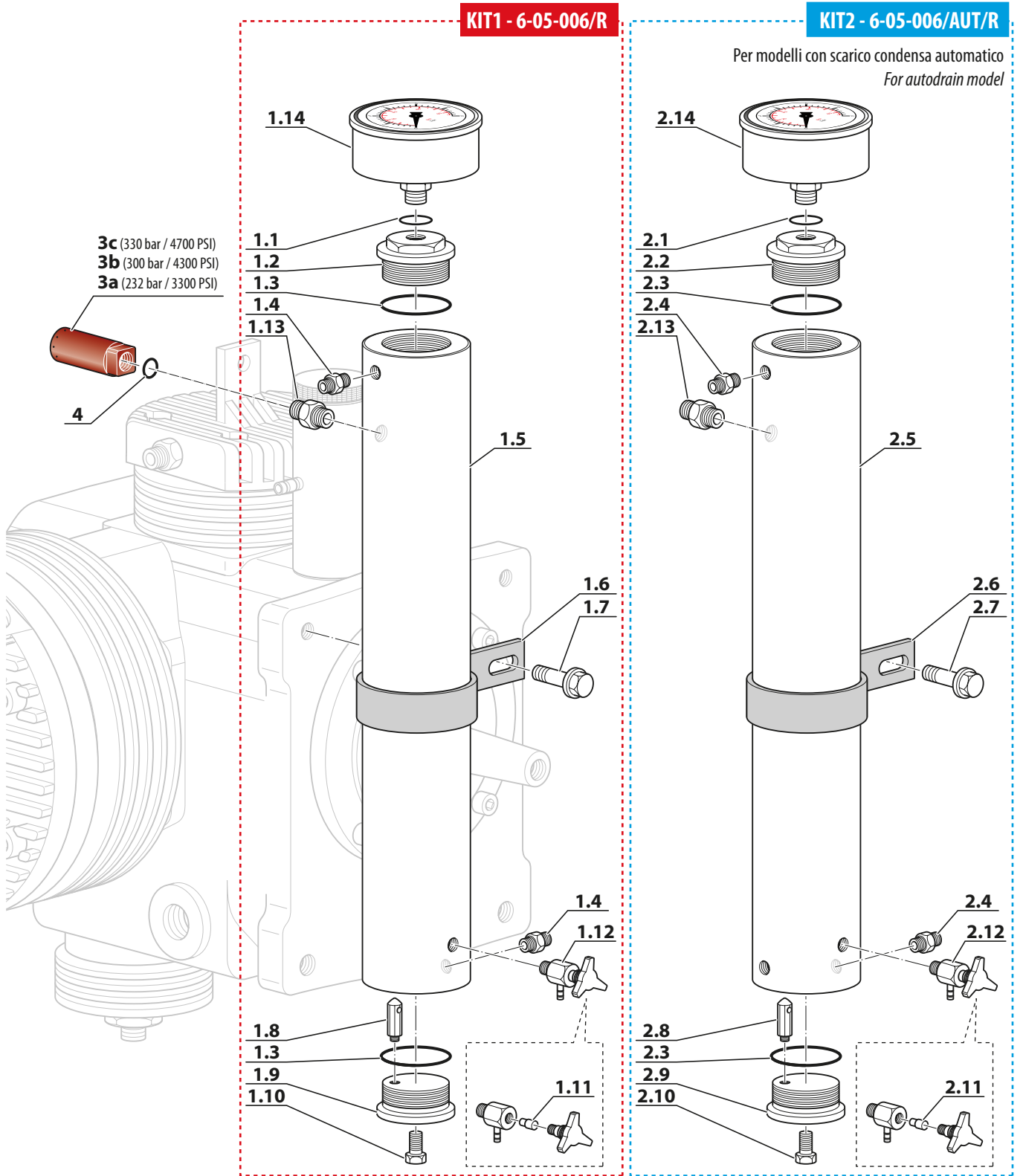


**SEPARATORE DI CONDENZA - CONDENSATE SEPARATOR**

Rif. Pos.	Q.tà Q.ty	Codice Code	Descrizione	Description
<b>KIT1</b>	<b>1</b>	<b>6-05-006/R</b>	<b>KIT SEPARATORE</b>	<b>KIT SEPARATOR</b>
1.1	1	OR-2018/90	O RING 2018 90 SH (4,48X1,78)	O RING 2018 90 SH (4,48X1,78)
1.2	1	6-05-002	TAPPO SUPERIORE SEPARATORE	SEPARATOR TOP PLUG
1.3	1	OR-4112	O RING 4112 NBR 90SH (28,17X3,53)	O RING 4112 NBR 90SH (28,17X3,53)
1.4	2	13-00-0174E	RACCORDO 1/8 NPT TUBO Ø6 ERMETO	FITTING 1/8 NPT - TUBE Ø6 ERMETO
1.5	1	6-05-006	CORPO SEPARATORE DI CONDENZA	SEPARATOR BODY
1.6	1	6-05-008	STAFFA PORTASEPARATORE	SEPARATOR CLAMP
1.7	1	VITE0620Z/RON	VITE TE ZINC 6X20 CON ROND.	SCREW TE 6X20 ZINC
1.8	1	6-05-016	DIFFUSORE SEPARATORE	DIFFUSOR SEPARATOR
1.9	1	6-05-017	TAPPO INFERIORE FILTRO/SEPARATORE MCH-6	SEPARATOR/FILTER BOTTOM PLUG MCH-6
1.10	1	VITE0814/TE	VITE TE ZINC 8X14	SCREW TE ZINC 8X14
1.11	1	13-00-0162	NYLON SCARICO CONDENZA	CONDENSATE DISCHARGE NYLON
1.12	1	13-00-0161/R	RUBINETTO SCARICO CONDENZA 1/8 NPT	CONDENSATE DISCHARGE VALVE 1/8 NPT
1.13	1	6-05-015H/N	RACCORDO VALVOLA SICUREZZA 1/8NPT-M12 PASSO 1,25	SAFETY VALVE FITTING 1/8NPT-M12X1,25
1.14	1	6-05-001A	MAN.0-500 BAR/PSI SENZA FLANGIA	MANOMETER 0-500 BAR MCH/6
<b>KIT2</b>	<b>1</b>	<b>6-05-006/AUT/R</b>	<b>KIT SEPARATORE</b>	<b>KIT SEPARATOR</b>
2.1	1	OR-2018/90	O RING 2018 90 SH (4,48X1,78)	O RING 2018 90 SH (4,48X1,78)
2.2	1	6-05-002	TAPPO SUPERIORE SEPARATORE	SEPARATOR TOP PLUG
2.3	1	OR-4112	O RING 4112 NBR 90SH (28,17X3,53)	O RING 4112 NBR 90SH (28,17X3,53)
2.4	2	13-00-0174E	RACCORDO 1/8 NPT TUBO Ø6 ERMETO	FITTING 1/8 NPT - TUBE Ø6 ERMETO
2.5	1	6-05-006/AUT	CORPO SEPARATORE DI CONDENZA	SEPARATOR BODY
2.6	1	6-05-008	STAFFA PORTASEPARATORE	SEPARATOR CLAMP
2.7	1	VITE0620Z/RON	VITE TE ZINC 6X20 CON ROND.	SCREW TE 6X20 ZINC
2.8	1	6-05-016	DIFFUSORE SEPARATORE	DIFFUSOR SEPARATOR
2.9	1	6-05-017	TAPPO INFERIORE FILTRO/SEPARATORE MCH-6	SEPARATOR/FILTER BOTTOM PLUG MCH-6
2.10	1	VITE0814/TE	VITE TE ZINC 8X14	SCREW TE ZINC 8X14
2.11	1	13-00-0162	NYLON SCARICO CONDENZA	CONDENSATE DISCHARGE NYLON
2.12	1	13-00-0161/R	RUBINETTO SCARICO CONDENZA 1/8 NPT	CONDENSATE DISCHARGE VALVE 1/8 NPT
2.13	1	6-05-015H/N	RACCORDO VALVOLA SICUREZZA 1/8NPT-M12 PASSO 1,25	SAFETY VALVE FITTING 1/8NPT-M12X1,25
2.14	1	6-05-001A	MAN.0-500 BAR/PSI SENZA FLANGIA	MANOMETER 0-500 BAR MCH/6
3a	1	6-05-015/3/232	VALVOLA DI SICUREZZA 232 BAR	SAFETY VALVE 232 BAR
3b	1	6-05-015/3/300	VALVOLA DI SICUREZZA 300 BAR	SAFETY VALVE 300 BAR
3c	1	6-05-015/3/330	VALVOLA DI SICUREZZA 330 BAR	SAFETY VALVE 330 BAR
4	1	OR-114/90	O-RING 114 NBR 90SH	O-RING 114 NBR 90SH



### SEPARATORE DI CONDENZA - CONDENSATE SEPARATOR



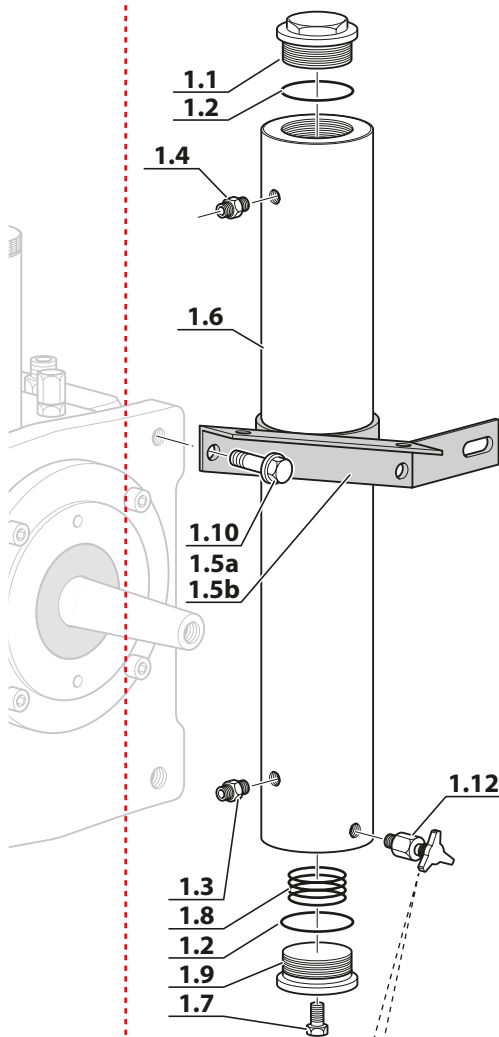
**FILTRO - FILTER**

Rif. Pos.	Q.tà Q.ty	Codice Code	Descrizione	Description
<b>KIT1a</b>	<b>1</b>	<b>6-05-021/RH</b>	<b>KIT CORPO FILTRO PER HONDA-EM-ET</b>	<b>MCH-6 HONDA-EM-ET BODY FILTER KIT</b>
1.1	1	6-05-018	TAPPO SUPERIORE FILTRO	FILTER TOP PLUG
1.2	2	OR-136-4112	OR 28,17X3,53 NBR 90SH	O-RING 28.17X3.53 NBR 90SH
1.3	1	13-00-0174E	RACC.1/8 NPT TUBO 6 ERMETO	CONNECTION 1/8NPT - 6MM TUBE
1.4	1	13-00-0174	RACC.1/8 NPT 7/16 TUBO 6	CONNECTION 1/8NPT - 7/16 6MM TUBE
1.5a	1	6-05-026	STAFFA PORTAFILTRO X HONDA	FILTER CLAMP X HONDA
1.6	1	6-05-021	CORPO FILTRO	FILTER BODY
1.7	1	VITE0814/TE	VITE TE ZINC 8X14	SCREW TE ZINC 8X14
1.8	1	6-05-027	MOLLA FILTRO	FILTER SPRING
1.9	1	6-05-014	TAPPO INFERIORE FILTRO	BOTTOM FILTER PLUG
1.10	1	VITE0620Z/RON	VITE TE ZINC 6X20 CON ROND.	SCREW TE 6X20 ZINC
1.11	1	13-00-0162	NYLON SCARICO CONDENSA	CONDENSATE DISCHARGE NYLON
1.12	1	13-00-0161/R	RUBINETTO SCARICO CONDENSA 1/8 NPT	CONDENSATE DISCHARGE VALVE 1/8 NPT
<b>KIT1b</b>	<b>1</b>	<b>6-05-021/RS</b>	<b>KIT FILTRO MCH-6 CON STAFFA PER SUBARU</b>	<b>MCH-6 FILTER KIT WITH SUBARU CLAMP</b>
1.1	1	6-05-018	TAPPO SUPERIORE FILTRO	FILTER TOP PLUG
1.2	2	OR-136-4112	OR 28,17X3,53 NBR 70	O-RING 28.17X3.53 NBR 70
1.3	1	13-00-0174E	RACC.1/8 NPT TUBO 6 ERMETO	CONNECTION 1/8NPT - 6MM TUBE
1.4	1	13-00-0174	RACC.1/8 NPT 7/16 TUBO 6	CONNECTION 1/8NPT - 7/16 6MM TUBE
1.5b	1	6-05-026/ROB	STAFFA PORTAFILTRO X SUBARU	FILTER CLAMP X SUBARU
1.6	1	6-05-021	CORPO FILTRO	FILTER BODY
1.7	1	VITE0814/TE	VITE TE ZINC 8X14	SCREW TE ZINC 8X14
1.8	1	6-05-027	MOLLA FILTRO	FILTER SPRING
1.9	1	6-05-014	TAPPO INFERIORE FILTRO/SEPARATORE MCH-6	SEPARATOR/FILTER BOTTOM PLUG MCH-6
1.10	1	VITE0620Z/RON	VITE TE ZINC 6X20 CON ROND.	SCREW TE 6X20 ZINC
1.11	1	13-00-0162	NYLON SCARICO CONDENSA	CONDENSATE DISCHARGE NYLON
1.12	1	13-00-0161/R	RUBINETTO SCARICO CONDENSA 1/8 NPT	CONDENSATE DISCHARGE VALVE 1/8 NPT
KIT2a	1	SC000340	CARTUCCIA FILTRO CARBONE ATTIVO/SETACCIO MOLECOLARE	FILTER ACTIVE CARBON/MOLECULAR SIEVE CARTRIDGE
KIT2b	1	SC000340/SM	CARTUCCIA FILTRO SETACCIO MOLECOLARE	FILTER MOLECULAR SIEVE CARTRIDGE
KIT2c	1	SC000340/CARB	CARTUCCIA FILTRO CARBONE ATTIVO	FILTER ACTIVE CARBON CARTRIDGE
KIT2d	1	SC000340/CO-CATALYST	CARTUCCIA FILTRO CARBONE/SETACCIO/HOPKALITE	FILTER CARBON/SIEVE/HOPKALITE CARTRIDGE
2.1	1	OR-3100	O RING 3100 NBR 90SH(25.07X2.62)	O RING 3100 NBR 90SH(25.07X2.62)
2.2	1		CORPO ABS CARTUCCIA FILTRANTE MCH-6	ABS BODY MCH-6 FILTER CARTRIDGE
2.3	1		DISCO ABS FORATO CARTUCCIA FILTRANTE MCH-6	ABS PERFORATED DISC MCH-6 FILTER CARTRIDGE
2.4	1	003	MOLLA INTERNA CARTUCCIA FILTRANTE MCH-6	INTERNAL SPRING MCH-6 FILTER CARTRIDGE
2.5	1		TAPPO INFERIORE ABS CARTUCCIA FILTRANTE MCH-6	ABS LOWER CAP MCH-6 FILTER CARTRIDGE
2.6	3	DISC/FEL/27x6	DISCO FELTRO Ø27MM SP.6MM	FELT DISC Ø27MM SP.6MM
2.7	1	SC000380	SETACCIO MOLECOLARE	MOLECULAR SIEVE
2.8	1	SC000350	CARBONE ATTIVO GRANULARE	ACTIVE CARBON
2.9	1	SC000355	CO CATALYST MOLECOLITE 814	CO CATALYST MOLECOLITE 814

**FILTRO - FILTER**

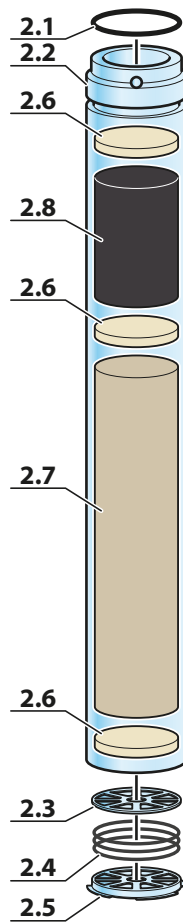
**KIT1a Filtro Honda 6-05-021/RH**

**KIT1b Filtro Subaru 6-05-021/RS**



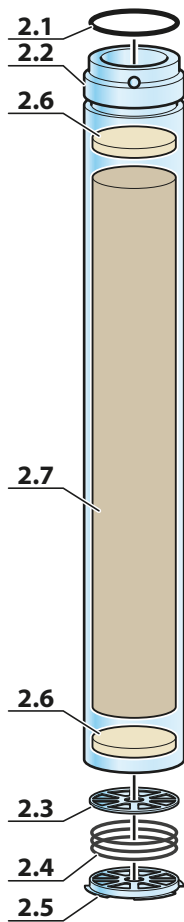
**KIT2a**  
**SC000340**

MOLECULAR SIEVE  
ACTIVE CARBON



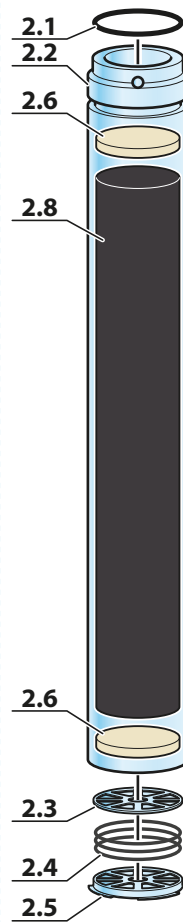
**KIT2b**  
**SC000340/SM**

MOLECULAR SIEVE



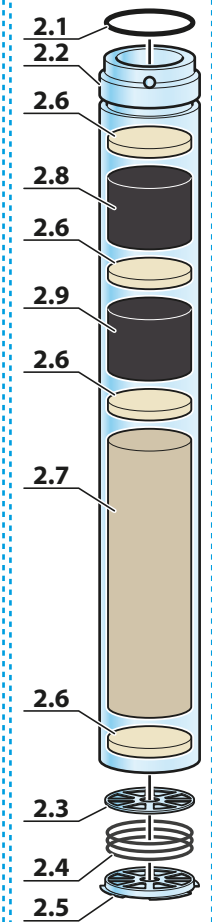
**KIT2c**  
**SC000340/CARB**

ACTIVE CARBON



**KIT2d**  
**SC000340/CO-CATALYST**

MOLECULAR SIEVE  
ACTIVE CARBON  
HOPKALITE



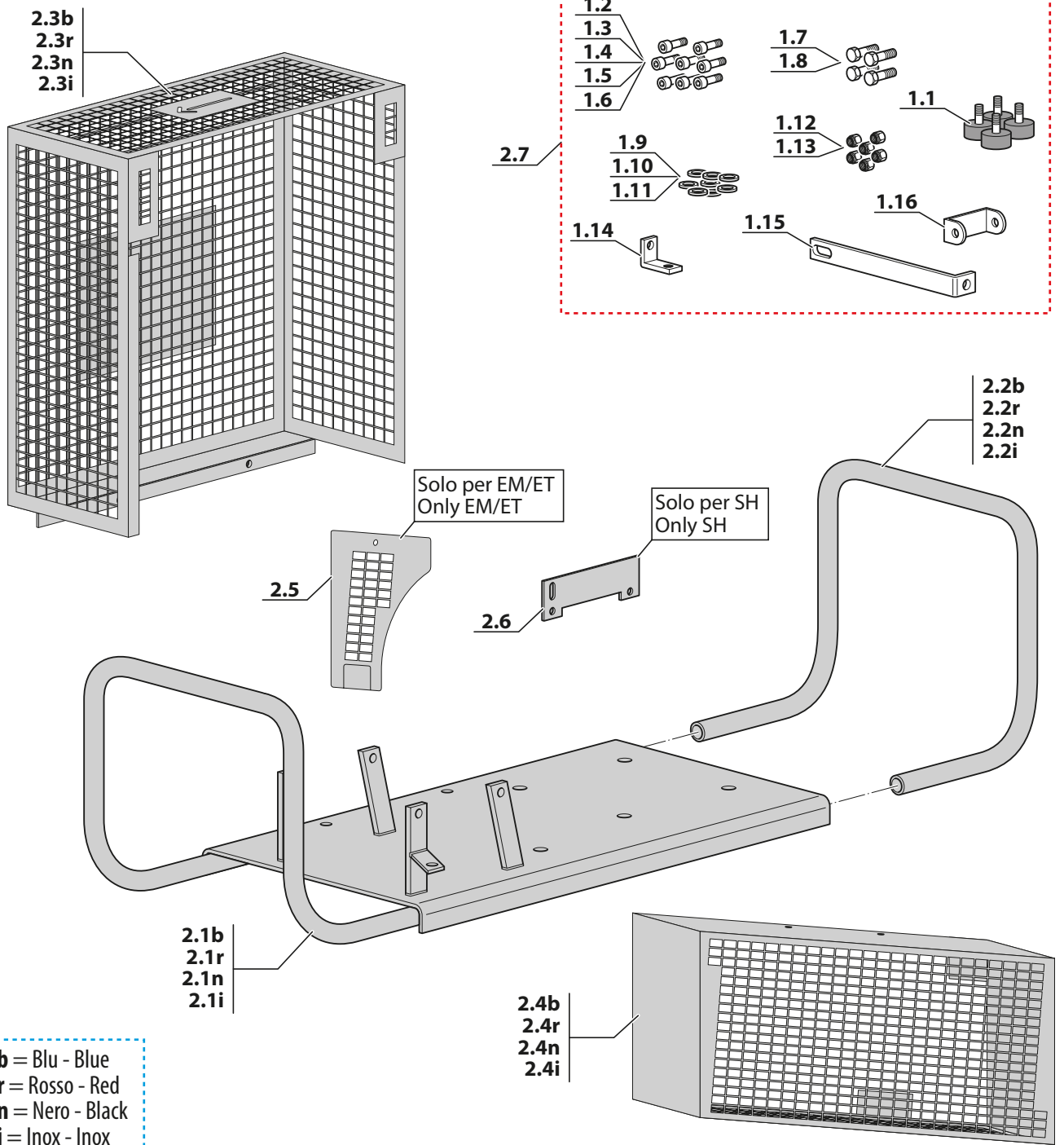
**TELAIO BASIC - BASIC FRAME**

Rif. Pos.	Q.tà Q.ty	Codice Code	Descrizione	Description
<b>KIT1</b>	<b>1</b>	<b>06-10-0001/R</b>	<b>KIT STAFFE - PIEDINI - VITI - RONDELLE MCH-6 BASIC</b>	<b>KIT BRACKET-RUBBER FOOT-SCREW-WASHER MCH-6 BASIC</b>
1.1	4	6-05-030	PIEDINO IN GOMMA	RUBBER FOOT
1.2	4	VITE0608Z	VITE TCE 6X8 ZINC	SCREW TCE 6X8 ZINC
1.3	4	VITE0610Z	VITE TCE 6X10 ZINC	SCREW TCE 6X10 ZINC
1.4	1	VITE0614	VITE TCE ZINC. 6X14	SCREW TCE 6X14 ZINC
1.5	2	VITE0620	VITE TCE ZINC 6X20	SCREW TCE 6X20 ZINC
1.6	1	VITE0670Z	VITE TCE ZINC 6X70	SCREW TCE 6X70 ZINC
1.7	6	VITE0620Z/RON	VITE TE ZINC 6X20 CON ROND.	SCREW TE 6X20 ZINC WITH WASHER
1.8	2	VITE0814/TE	VITE TE 8X14 ZINC	SCREW TE 8X14 ZINC
1.9	3	RON0618Z	RONDELLA 6,5X18X1,5 PIANA ZINC	WASHER 6.5X18X1.5 FLAT ZINC
1.10	8	RON6Z	RONDELLA 6,5X12,5X1,5 ZINC	WASHER 6.5X12.5X1.5 ZINC
1.11	2	RON8	RONDELLA PIANA M8 ZINCATA	WASHER M8 ZINC
1.12	2	DA006Z	DADO AUTOBLOC ZINC M6 ALTO	SELF LOCKING ZINC NUT M6 UPPER
1.13	1	DADM6AUTBAS	DADO AUTOBLOC ZINC M6 BASSO	SELF LOCKING ZINC NUT M6 LOWER
1.14	1	6-05-033	STAFFA AD "L"	BRACKET "L"
1.15	1	6-00-020/N	STAFFA COPRIVENTOLA AD "L" X NUOVO TELAIO	COVER SUPPORT BRACKET "L" NEW CHASSIS
1.16	1	6-01-021/N	STAFFA CORTA COPRIVENTOLA A "U" X NUOVO TELAIO	COVER SUPPORT BRACKET "U" NEW CHASSIS
<b>KIT2b</b>	<b>1</b>	<b>6-05-029B/R</b>	<b>KIT TELAIO BASIC BLU</b>	<b>KIT BASIC CHASSIS BLUE</b>
2.1b	1	6-05-029B	TELAIO BASIC COMPLETO BLU	BASIC CHASSIS COMPLETE BLUE
2.2b	1	6-05-019B	MANICO TELAIO BLU	CHASSIS HANDLES BLUE
2.3b	1	6-00-018B/N	COPRIVENTOLA X NUOVO TELAIO BLU	FAN COVER NEW CHASSIS BLUE
2.4b	1	6-05-036B/N	CARTER COPRINCINGHIA X NUOVO TELAIO BLU	DRIVE BELT COVER NEW CHASSIS BLUE
2.5	1	6-00-025	GRIGLIA PROTEZIONE CINGHIA MCH-6/SH	GRID PROTECTION BELT MCH-6/SH
2.6	1	6-05-050	STAFFA FISSAGGIO MOTORE HONDA	HONDA FIXING BRACKET
2.7	1	06-10-0001/R	KIT STAFFE - PIEDINI - VITI - RONDELLE MCH-6 BASIC	KIT BRACKET-RUBBER FOOT-SCREW-WASHER MCH-6 BASIC
<b>KIT2r</b>	<b>1</b>	<b>6-05-029R/R</b>	<b>KIT TELAIO BASIC ROSSO</b>	<b>KIT BASIC CHASSIS RED</b>
2.1r	1	6-05-029R	TELAIO BASIC COMPLETO ROSSO	BASIC CHASSIS COMPLETE RED
2.2r	1	6-05-019R	MANICO TELAIO ROSSO	CHASSIS HANDLES RED
2.3r	1	6-00-018R/N	COPRIVENTOLA X NUOVO TELAIO ROSSO	FAN COVER NEW CHASSIS RED
2.4r	1	6-05-036R/N	CARTER COPRINCINGHIA X NUOVO TELAIO ROSSO	DRIVE BELT COVER NEW CHASSIS RED
2.5	1	6-00-025	GRIGLIA PROTEZIONE CINGHIA MCH-6/SH	GRID PROTECTION BELT MCH-6/SH
2.6	1	6-05-050	STAFFA FISSAGGIO MOTORE HONDA	HONDA FIXING BRACKET
2.7	1	06-10-0001/R	KIT STAFFE - PIEDINI - VITI - RONDELLE MCH-6 BASIC	KIT BRACKET-RUBBER FOOT-SCREW-WASHER MCH-6 BASIC
<b>KIT2n</b>	<b>1</b>	<b>6-05-029N/R</b>	<b>KIT TELAIO BASIC NERO</b>	<b>KIT BASIC CHASSIS BLACK</b>
2.1n	1	6-05-029N	TELAIO BASIC COMPLETO NERO	BASIC CHASSIS COMPLETE BLACK
2.2n	1	6-05-019N	MANICO TELAIO NERO	CHASSIS HANDLES BLACK
2.3n	1	6-00-018N/N	COPRIVENTOLA X NUOVO TELAIO NERO	FAN COVER NEW CHASSIS BLACK
2.4n	1	6-05-036N/N	CARTER COPRINCINGHIA X NUOVO TELAIO NERO	DRIVE BELT COVER NEW CHASSIS BLACK
2.5	1	6-00-025	GRIGLIA PROTEZIONE CINGHIA MCH-6/SH	GRID PROTECTION BELT MCH-6/SH
2.6	1	6-05-050	STAFFA FISSAGGIO MOTORE HONDA	HONDA FIXING BRACKET
2.7	1	06-10-0001/R	KIT STAFFE - PIEDINI - VITI - RONDELLE MCH-6 BASIC	KIT BRACKET-RUBBER FOOT-SCREW-WASHER MCH-6 BASIC
<b>KIT2i</b>	<b>1</b>	<b>6-05-029I/R</b>	<b>KIT TELAIO BASIC INOX</b>	<b>KIT BASIC CHASSIS INOX</b>
2.1i	1	6-05-029I	TELAIO BASIC COMPLETO INOX	BASIC CHASSIS COMPLETE INOX
2.2i	1	6-05-019I	MANICO TELAIO INOX	CHASSIS HANDLES INOX
2.3i	1	6-00-018I/N	COPRIVENTOLA X NUOVO TELAIO INOX	FAN COVER NEW CHASSIS INOX
2.4i	1	6-05-036I/N	CARTER COPRINCINGHIA X NUOVO TELAIO INOX	DRIVE BELT COVER NEW CHASSIS INOX
2.5	1	6-00-025	GRIGLIA PROTEZIONE CINGHIA MCH-6/SH	GRID PROTECTION BELT MCH-6/SH
2.6	1	6-05-050	STAFFA FISSAGGIO MOTORE HONDA	HONDA FIXING BRACKET
2.7	1	06-10-0001/R	KIT STAFFE - PIEDINI - VITI - RONDELLE MCH-6 BASIC	KIT BRACKET-RUBBER FOOT-SCREW-WASHER MCH-6 BASIC

**TELAIO BASIC - BASIC FRAME**

**KIT2b - 6-05-029B/R**  
**KIT2r - 6-05-029R/R**  
**KIT2n - 6-05-029N/R**  
**KIT2i - 6-05-029I/R**

**KIT1 - 06-10-0001/R**



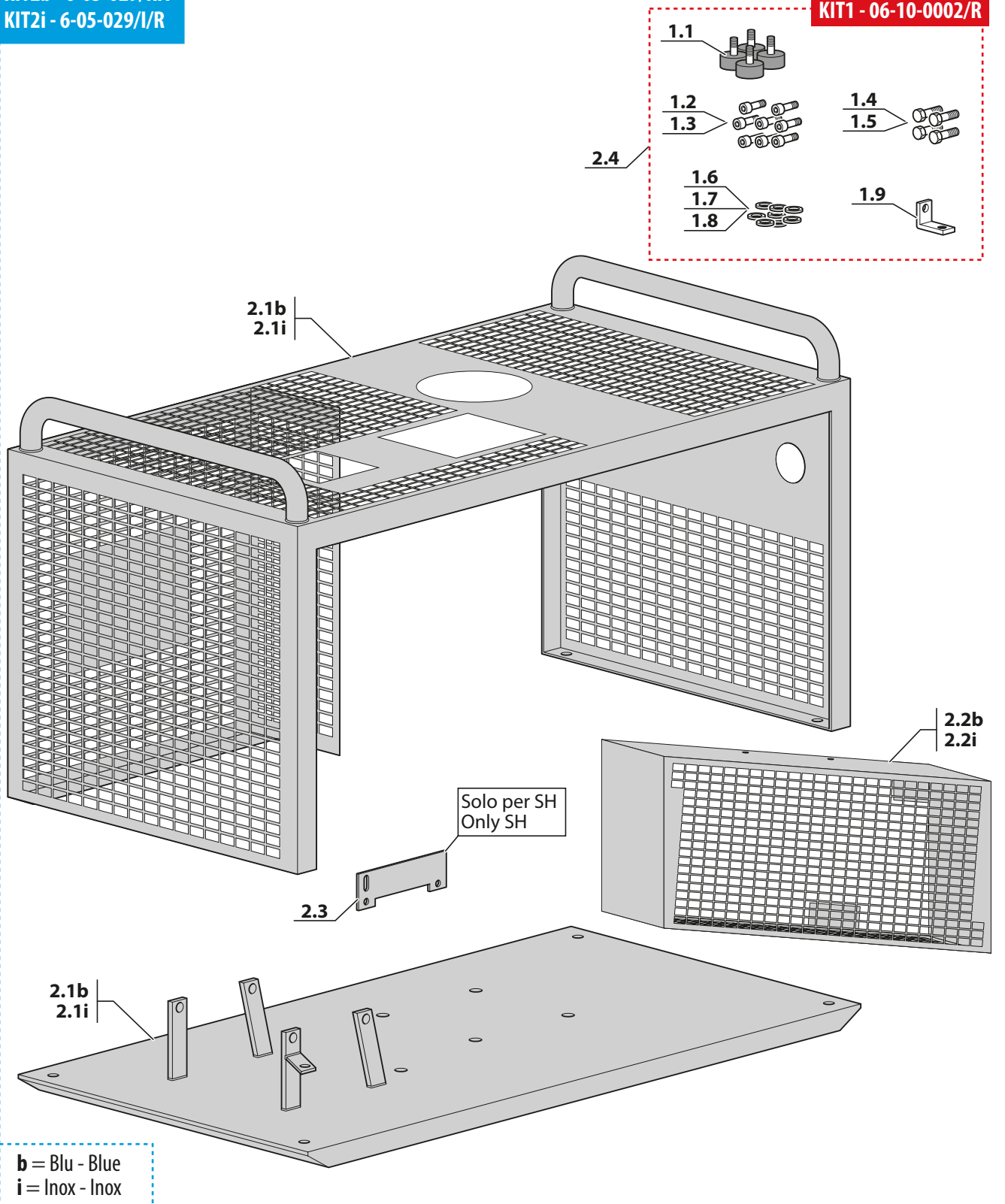
**TELAIO COMPACT - COMPACT FRAMES**

Rif. Pos.	Q.tà Q.ty	Codice Code	Descrizione	Description
<b>KIT1</b>	<b>1</b>	<b>06-10-0002/R</b>	<b>KIT STAFFE - PIEDINI - VITI - RONDELLE MCH-6 COMPACT</b>	<b>KIT BRACKET - RUBBER FOOT - SCREW - WASHER MCH-6 COMPACT</b>
1.1	4	6-05-030	PIEDINO IN GOMMA	RUBBER FOOT
1.2	4	VITE0608Z	VITE TCE 6X8 ZINC	SCREW TCE 6X8 ZINC
1.3	6	VITE0620	VITE TCE ZINC. 6X20 DIN912	SCREW TCE 6X20 ZINC
1.4	6	VITE0620Z/RON	VITE TE ZINC 6X20 CON ROND.	SCREW TE 6X20 ZINC WITH WASHER
1.5	2	VITE0814/TE	VITE TE 8X14 ZINC	SCREW TE 8X14 ZINC
1.6	1	RON0618Z	RONDELLA 6,5X18X1,5 PIANA ZINC	WASHER 6.5X18X1.5 FLAT ZINC
1.7	2	RON6Z	RONDELLA 6,5X12,5X1,5 ZINC	WASHER 6.5X12.5X1.5 ZINC
1.8	2	RON8	RONDELLA PIANA M8 ZINCATA	WASHER M8 ZINC
1.9	1	6-05-033	STAFFA AD "L"	BRACKET "L"
<b>KIT2b</b>	<b>1</b>	<b>6-05-029/KIT</b>	<b>KIT TELAIO COMPACT BLU</b>	<b>KIT COMPACT CHASSIS BLUE</b>
2.1b	1	6-05-029	TELAIO COMPACT BLU	COMPACT CHASSIS BLUE
2.2b	1	6-05-036B	CARTER COPRICINGHIA X NUOVO TELAIO BLU	DRIVE BELT COVER NEW CHASSIS BLUE
2.3	1	6-05-050	STAFFA FISSAGGIO MOTORE HONDA	HONDA FIXING BRACKET
2.4	1	06-10-0002/R	KIT STAFFE - PIEDINI - VITI - RONDELLE	KIT BRACKET - RUBBER FOOT - SCREW - WASHER
<b>KIT2i</b>	<b>1</b>	<b>6-05-029/I/R</b>	<b>KIT TELAIO COMPACT INOX</b>	<b>KIT COMPACT CHASSIS INOX</b>
2.1i	1	6-05-029/I	TELAIO COMPACT COMPLETO INOX	COMPACT CHASSIS COMPLETE INOX
2.2i	1	6-05-036I	CARTER COPRICINGHIA X NUOVO TELAIO INOX	DRIVE BELT COVER NEW CHASSIS INOX
2.3	1	6-05-050	STAFFA FISSAGGIO MOTORE HONDA	HONDA FIXING BRACKET
2.4	1	06-10-0002/R	KIT STAFFE - PIEDINI - VITI - RONDELLE	KIT BRACKET - RUBBER FOOT - SCREW - WASHER

TELAIO COMPACT - COMPACT FRAMES

KIT2b - 6-05-029/KIT  
KIT2i - 6-05-029/I/R

KIT1 - 06-10-0002/R





## TARGHETTE DI SICUREZZA - SAFETY INFO LABEL

Rif. Pos.	Q.tà Q.ty	Codice Code	Descrizione	Description
KIT1	1	6-05-045	KIT TARGHETTE DI SICUREZZA MCH-6	KIT MCH-6 SAFETY INFO LABEL
1.1	1	ADES/SER/MCH6	ADESIVO ISTRUZIONI MCH6	INSTRUCTIONS STICKER
1.2	1	ADESIVO/NORME/SICUREZZ	ADESIVO NORME SICUREZZA	SAFETY INFORMATION STICKER
1.3	1	ADES/USO	ADESIVO USO	USE STICKER
1.4	1		ADESIVO PRESSIONE 232-300-330 BAR	PRESSURE STICKER 232-300-330 BAR

TARGHETTE DI SICUREZZA - SAFETY INFO LABEL

**KIT1 - 6-05-045**

**1.1**  
**FILTRO CON CARTUCCIA DA SOSTITUIRE AD INTERVALLI REGOLARI - VEDI MANUALE**  
**1.1**  
**FILTER WITH CARTRIDGE TO BE REPLACED AT REGULAR INTERVALS - SEE MANUAL**

**1.1**  
**USARE OLIO SPECIALE PER COMPRESSORI AD ALTA PRESSIONE**  
**1.1**  
**USE SPECIAL OIL FOR HIGH PRESSURE COMPRESSORS**

**1.1**  
**ATTENZIONE**  
**CONTROLLARE IL LIVELLO DELL'OLIO OGNI 5 ORE E SOSTITUIRLO OGNI 50 ORE DI LAVORO**  
**1.1**  
**WARNING**  
**CHECK OIL LEVEL EVERY 5 HOURS AND CHANGE OIL EVERY 50 WORKING HOURS**

**1.1**  
**ATTENZIONE**  
**SEPARATORE DI CONDENZA SCARICARE OGNI 10-15 MINUTI**  
**1.1**  
**WARNING**  
**CONDENSATE SEPARATOR EMPTY EVERY 10-15 MINUTES**

**1.4**

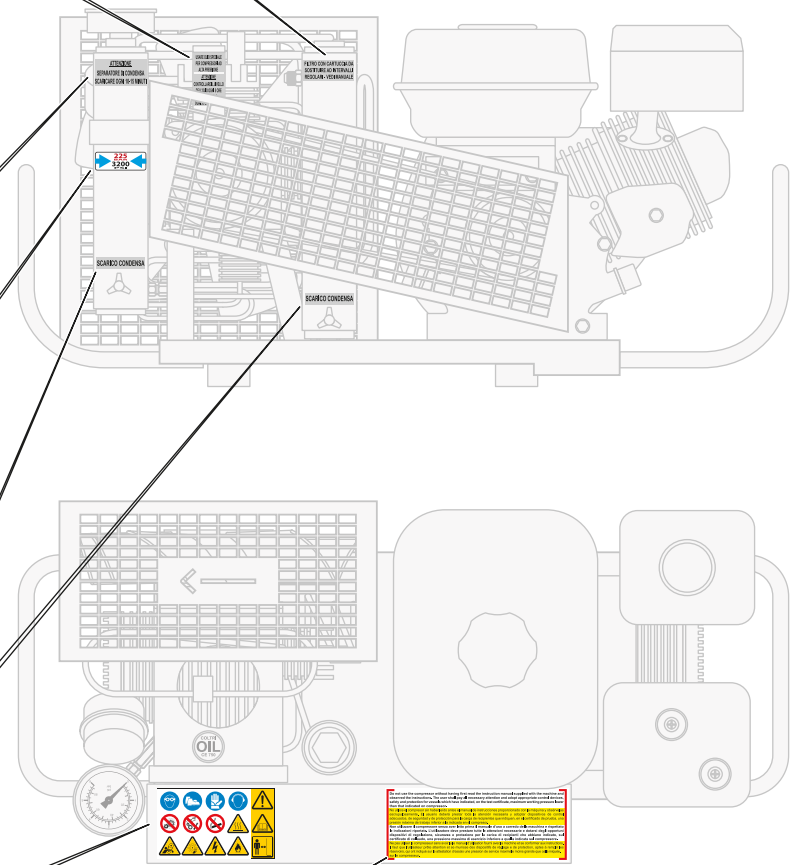
**1.4**

**1.4**

**1.1**  
**SCARICO CONDENZA**  
**CONDENSATE DISCHARGE**

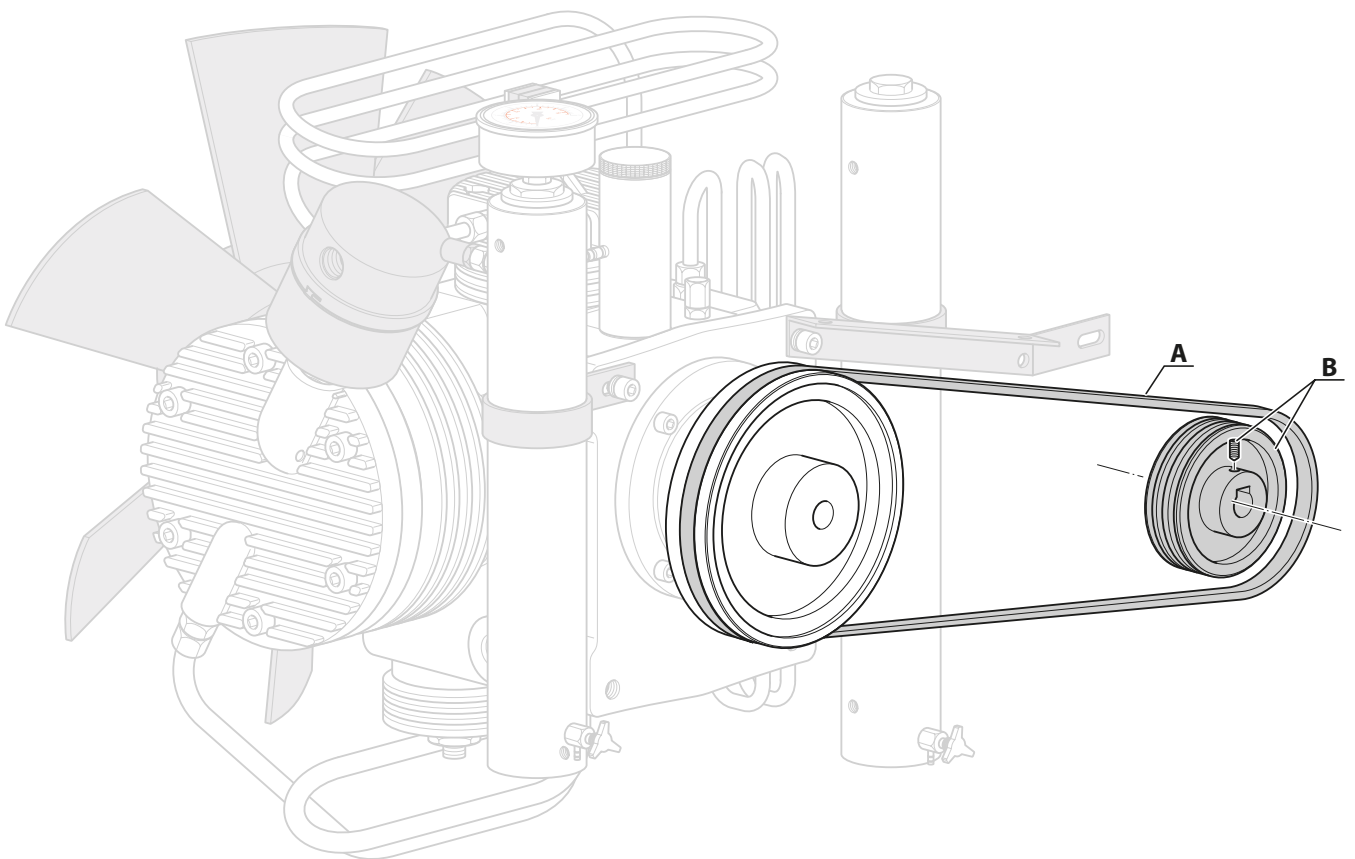
**1.2**

**1.3**



**MOTORE/PULEGGIA/CINGHIA - ENGINE/PULLEY/TRANSMISSION BELT**

	Compressore Compressor	Motore - Powered by		Cinghia-Belt (A) Codice Code	Puleggia-Pulley (B)		
		Tipo Type	Codice Code		Ø mm	Codice Code	
PETROL ENGINE	<b>MCH6/SH</b>	HONDA GX200	SC000398/R/N/QX4	CINGA31.5	80	SC000404	
		HONDA GX200/EU	SC000398/R/N/S	CINGA31.5	80	SC000404	
	<b>MCH6/SH Compact</b>	HONDA GX200	SC000432/R	CINGA31.5	80	SC000404	
		HONDA GX200/EU	6-07-005/EU	CINGA31.5	80	SC000404	
	<b>MCH-6/SR</b>	SUBARU-ROBIN	SC000377	CINGA31.5	80	SC000404	
	<b>MCH6/SR Compact</b>	SUBARU-ROBIN	SC000377	CINGA31.5	80	SC000404	
	ELECTRIC MOTOR	<b>MCH6/EM</b>	SINGLE PHASE 230V 50HZ	SC000381	CINGA31	80	SC000402
			SINGLE PHASE 115V 60HZ	SC000383/UL	CINGA30	70	SC000402/B
SINGLE PHASE 230V 60HZ			SC000382	CINGA30	70	SC000402/B	
<b>MCH6/EM Compact</b>		SINGLE PHASE 230V 50HZ	SC000381	CINGA31	80	SC000402	
		SINGLE PHASE 115V 60HZ	SC000383/UL	CINGA30	70	SC000402/B	
		SINGLE PHASE 230V 60HZ	SC000382	CINGA30	70	SC000402/B	
<b>MCH6/EM Compact (3KW)</b>		SINGLE PHASE 230V 50HZ	SC000384	CINGA32	100	SC000403/1	
		SINGLE PHASE 230V 60HZ	SC000385	CINGA31	80	SC000402	
<b>MCH6/ET</b>		THREE PHASE 230V 50HZ	SC000386	CINGA32	100	SC000403	
		THREE PHASE 400V 50HZ	SC000387	CINGA32	100	SC000403	
		THREE PHASE 440V 50HZ	SC000387	CINGA32	100	SC000403	
		THREE PHASE 230V 60HZ	SC000386	CINGA31	80	SC000404	
		THREE PHASE 400V 60HZ	SC000387	CINGA31	80	SC000404	
		THREE PHASE 440V 60HZ	SC000387	CINGA31	80	SC000404	
<b>MCH6/ET Compact</b>		THREE PHASE 230V 50HZ	SC000386	CINGA32	100	SC000403	
		THREE PHASE 400V 50HZ	SC000387	CINGA32	100	SC000403	
		THREE PHASE 440V 50HZ	SC000387	CINGA32	100	SC000403	
		THREE PHASE 230V 60HZ	SC000386	CINGA31	80	SC000404	
	THREE PHASE 400V 60HZ	SC000387	CINGA31	80	SC000404		
	THREE PHASE 440V 60HZ	SC000387	CINGA31	80	SC000404		

**MOTORE/PULEGGIA/CINGHIA - ENGINE/PULLEY/TRANSMISSION BELT**

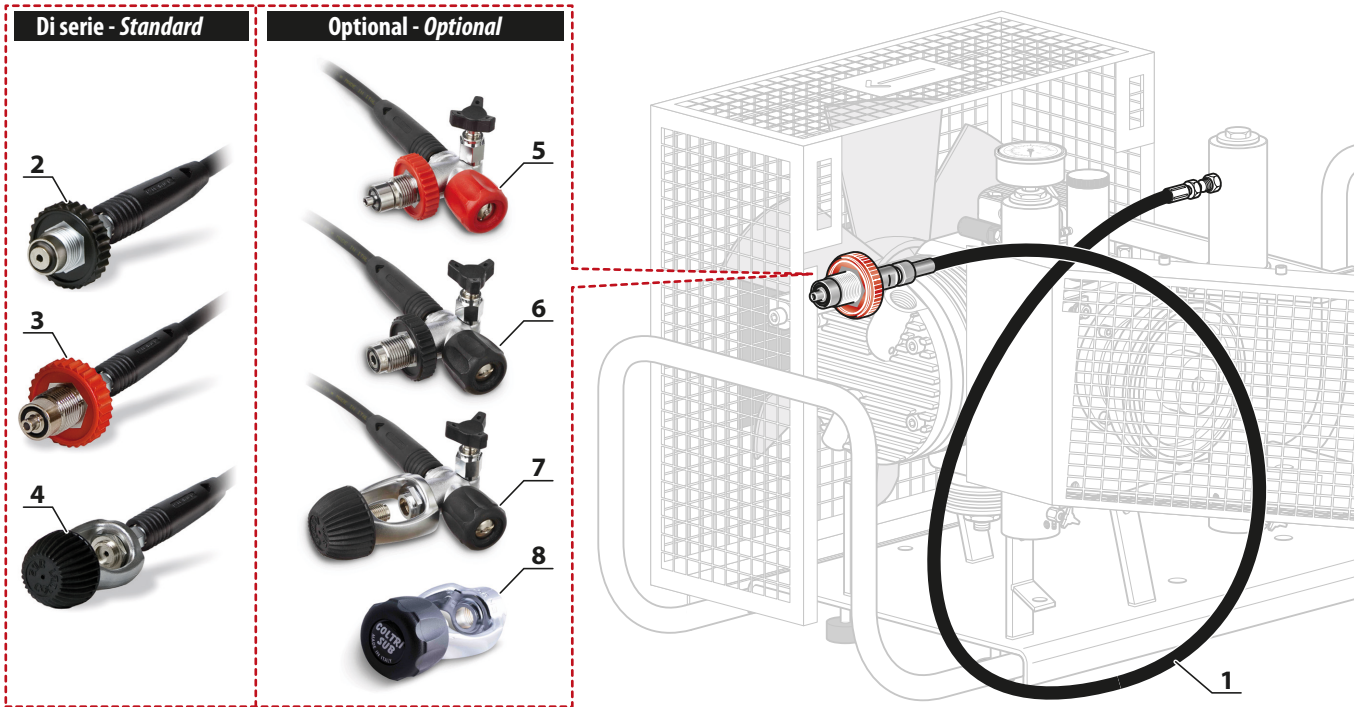
## ATTACCHI PER RICARICA BOMBOLE - REFILL CONNECTORS

Rif. Pos.	Q.tà Q.ty	Codice Code	Descrizione	Description
1	1	13-04-0238/420/AIR	FRUSTA DI RICARICA DA 1200MM	REFILL HOSE 1200 MM
2	1	6-05-024	ATTACCO DIN 230 BAR	FILLING VALVE DIN 230 BAR
3	1	6-05-024/300	ATTACCO DIN 300 BAR	FILLING VALVE DIN 300 BAR
4	1	6-05-025	ATTACCO INT / YOKE	FILLING VALVE INT/YOKE
5	1	SC000460	RUB. BC DIN 300 BAR SCUBA-VVFFUNI	BC VALVE DIN 300
6	1	SC000470	RUBINETTO B.C. DIN 230 BAR	BC VALVE DIN 230
7	1	SC000450	RUBINETTO B.C. INT	BC VALVE INT
8	1	RE100350	RIDUTTORE DIN/INT	CONNECTOR DIN/INT

## OLIO DI LUBRIFICAZIONE E GRASSO AL SILICONE - LUBRICATION OIL AND SILICONE GREASE

Rif. Pos.	Q.tà Q.ty	Codice Code	Descrizione	Description
1	1	SC000430	OLIO PER MOTORE COLTRI SUPER MULTIGRADE 5W40 1L	COLTRI SUPER MULTIGRADE MOTOR OIL 5W40 1L
2	1	SC000496	OLIO SINTETICO COLTRI CE 750 1L	SYNTHETIC COLTRI OIL CE 750 1L
3	1	OP900403	GRASSO SILICONICO 150 GR	SILICONE GREASE 150 GR
4	1	OP900390	SILICONE SPRAY 200 ML	SILICONE SPRAY 200 ML
5	1	GRASSO/FGHV	GRASSO SINTETICO ATOSSICO AD ELEVATE PRESTAZIONI PER TAPPI FILTRO COMPRESSORI HP	NO-TOXIC SYNTHETIC GREASE HIGH PERFORMANCE FOR CAPS FILTER HP COMPRESSOR

**ATTACCHI PER RICARICA BOMBOLE - REFILL CONNECTORS**



**OLIO DI LUBRIFICAZIONE E GRASSO AL SILICONE - LUBRICATION OIL AND SILICONE GREASE**



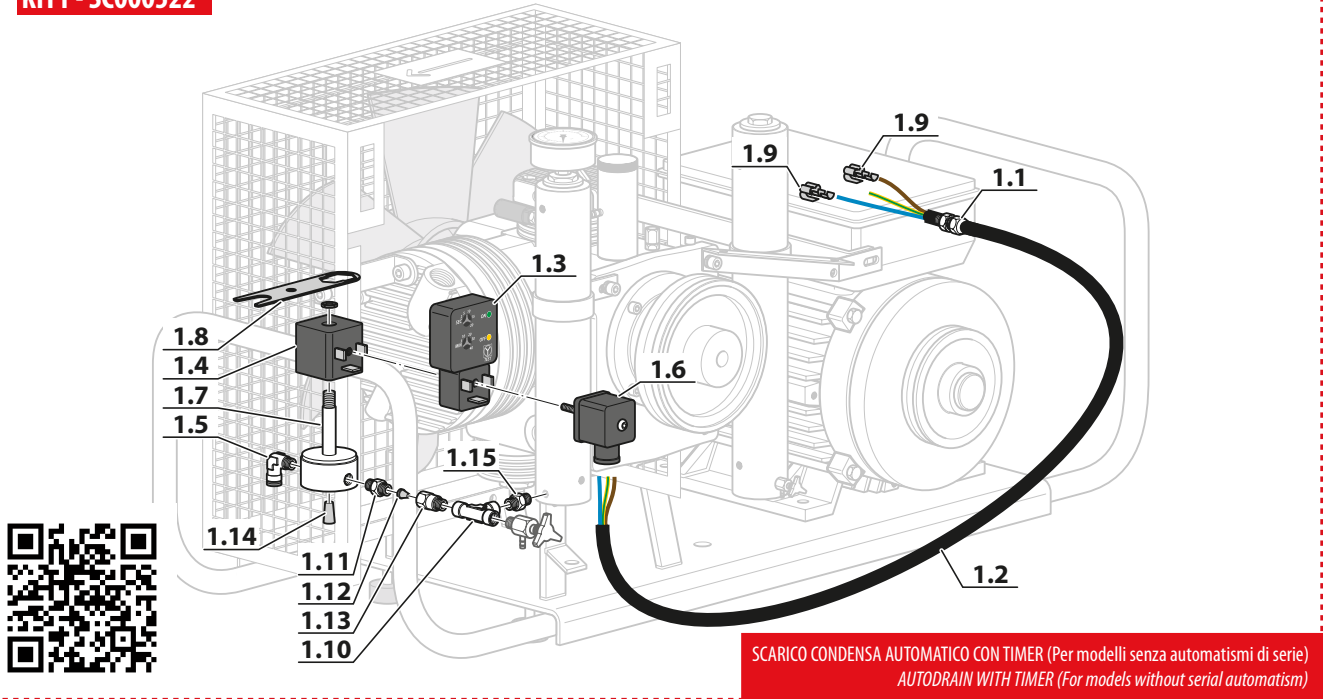
## SCARICO CONDENZA AUTOMATICO CON TIMER - AUTODRAIN WITH TIMER SPEGNIMENTO AUTOMATICO - AUTOSTOP

Rif. Pos.	Q.tà Q.ty	Codice Code	Descrizione	Description
<b>KIT1</b>	<b>1</b>	<b>SC000522</b>	<b>KIT SCARICO CONDENZA AUTOM. MCH6 CON CON TIMER</b>	<b>KIT AUTODRAIN WITH TIMER</b>
1.1	1	AY250/9	PRESSACAVO PG09 IP54 CON GHIERA	CABLE GLAND PG09 IP54
1.2	1	CDFROR3G0,75	CAVO FROR 3X0,75	CABLE FROR 3X0,75
1.3	1	16-00-0500	TIMER CICLICO MOD. TSF3 24...240V 0,8A	TIMER MOD. TSF3 24...240V 0,8A
1.4	1	13-04-0221/B	BOBINA PER ELETTR2 VIE NC 1/4' NBR D.2 V.220/50-60	SOLENOID COIL ELETTR2 VIE V.220/50-60
1.5	1	RAC1500-6/4-1/4	RACCORDO 90° 1500 6/4 1/4	FITTING 90° 1500 6/4 1/4
1.6	1	13-04-0221/C	CONNETTORE QUADRATO	SQUARE CONNECTOR
1.7	1	13-04-0222	ELETTR2 HP SCARICO COND2 VIE 220/50	CONDENSATE DISCHARGE SOLENOID VALVE
1.8	1	ELET/E.V. CHIAV	CHIAVE XELETTR2 VALVOLA E.V. 2 VIE PETER PAUL	SOLENOID VALVE KEY
1.9	2	MOR00198	CAPOCORDA (FASTOM) FEMMINA/MASCHIO 0,8	CONNECTOR (FASTOM) 0,8
1.10	1	RAC/1/8/T	RACCORDO A 'T' FFF 1/8 GAS	FITTING 'T' FFF 1/8 GAS
1.11	1	NIPPLO1/4G/1/8N	NIPPLO DOPPIO 1/4GAS 1/8NPT	FITTING 1/4GAS 1/8NPT
1.12	1	RE/010288021015	FILTRO CONICO DIN	CONE FILTER DIN
1.13	1	13-04-0223	CONNETTORE CON FILTRO ELETTR2	FITTING WITH FILTER
1.14	1	ELET/E.V.SPILLO	SPILLO CONICO IN NYLON	NYLON CONICAL PIN
1.15	1	RACC1/8-1/8	RACCORDO 1/8 GAS 1/8 NPT DIRIT	FITTING 1/8 GAS 1/8 NPT
<b>KIT2</b>	<b>1</b>	<b>SC000522/N</b>	<b>KIT SCARICO CONDENZA MCH6-CON AUTOMATISMI</b>	<b>KIT AUTODRAIN WITH TIMER MCH-6 AUTOMATISMS</b>
2.1	1	AY250/9	PRESSACAVO PG09 IP54 CON GHIERA	CABLE GLAND PG09 IP54
2.2	1	CDFROR3G0,75	CAVO FROR 3X0,75	CABLE FROR 3X0,75
2.3	1	16-00-0500	TIMER CICLICO MOD. TSF3 24...240V 0,8A	TIMER MOD. TSF3 24...240V 0,8A
2.4	1	13-04-0221/B	BOBINA PER ELETTR2 VIE NC 1/4' NBR D.2 V.220/50-60	SOLENOID COIL ELETTR2 VIE V.220/50-60
2.5	1	RAC1500-6/4-1/4	RACCORDO 90° 1500 6/4 1/4	FITTING 90° 1500 6/4 1/4
2.6	1	13-04-0221/C	CONNETTORE QUADRATO	SQUARE CONNECTOR
2.7	1	13-04-0222	ELETTR2 HP SCARICO COND2 VIE 220/50	CONDENSATE DISCHARGE SOLENOID VALVE
2.8	1	ELET/E.V. CHIAV	CHIAVE XELETTR2 VALVOLA E.V. 2 VIE PETER PAUL	SOLENOID VALVE KEY
2.9	2	MOR00198	CAPOCORDA (FASTOM) FEMMINA/MASCHIO 0,8	CONNECTOR (FASTOM) 0,8
2.10	1	RAC/1/8/T	RACCORDO 90° MF 1/8 GAS	FITTING 90° MF 1/8 GAS
2.11	1	NIPPLO1/4G/1/8N	NIPPLO DOPPIO 1/4GAS 1/8NPT	FITTING 1/4GAS 1/8NPT
2.12	1	RE/010288021015	FILTRO CONICO DIN	CONE FILTER DIN
2.13	1	13-04-0223	CONNETTORE CON FILTRO ELETTR2	FITTING WITH FILTER
2.14	1	ELET/E.V.SPILLO	SPILLO CONICO IN NYLON	NYLON CONICAL PIN
KIT3a	1	SC000521/225	KIT SPEGNIMENTO AUTOMATICO A 225BAR	KIT AUTOSTOP 225BAR
KIT3b	1	SC000521/300	KIT SPEGNIMENTO AUTOMATICO A 300BAR	KIT AUTOSTOP 300BAR
3.1a	1		PRESSOSTATO 225BAR	PRESSURE SWITCH 225BAR
3.1b	1		PRESSOSTATO 300BAR	PRESSURE SWITCH 300BAR
3.2	1	6-05-002	TAPPO SUPERIORE SEPARATORE	SEPARATOR TOP PLUG
3.3	1	OR-136-4112	OR 28,17X3,53 NBR 70	OR 28,17X3,53 NBR 70
3.4	1	13-04-0221/C	CONNETTORE QUADRATO	SQUARE CONNECTOR
3.5	1	CJRF-F608-P	FASTOM FEMMINA ROSSO	RED FASTOM
3.6	1	AYB25	MORSETTI VOLANTI UNIPOLARI B252,5	CONNECTOR B252,5
3.7	1	AY250/9	PRESSACAVO PG09 IP54 CON GHIERA	CABLE GLAND PG09 IP54
3.8	1	CDFROR3G0,75	CAVO FROR 3X0,75	CABLE FROR 3X0,75
3.9	1	6-00-0200	CHIAVE PER FILTRO MCH6	FILTER KEY MCH-6

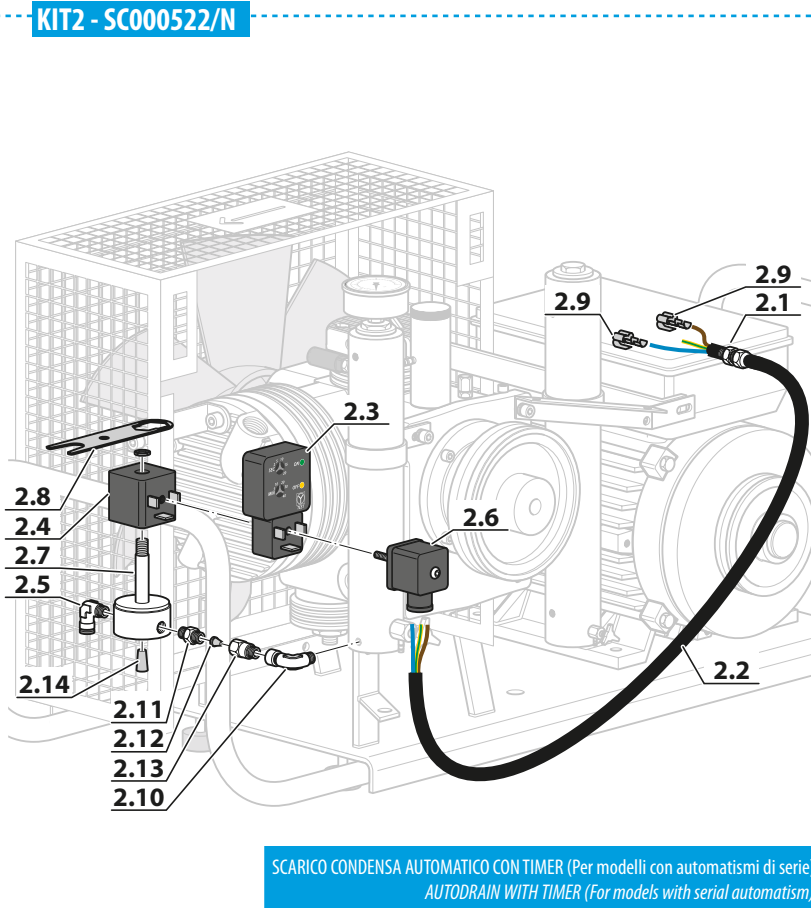


**SCARICO CONDENSA AUTOMATICO CON TIMER - AUTODRAIN WITH TIMER  
SPEGNIMENTO AUTOMATICO - AUTOSTOP**

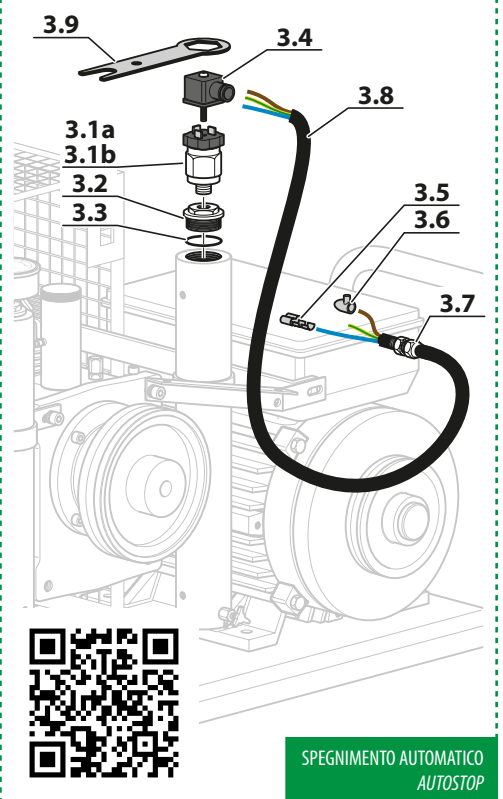
**KIT1 - SC000522**



**KIT2 - SC000522/N**



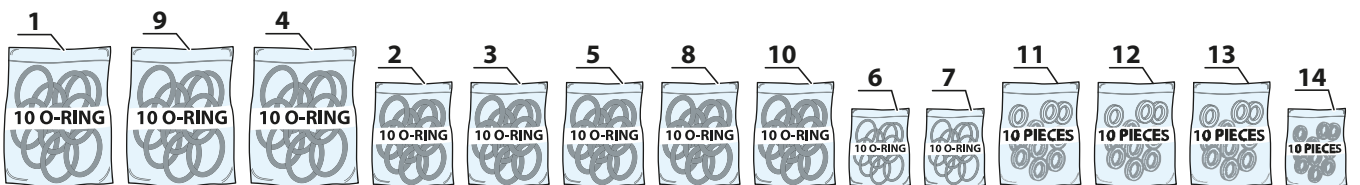
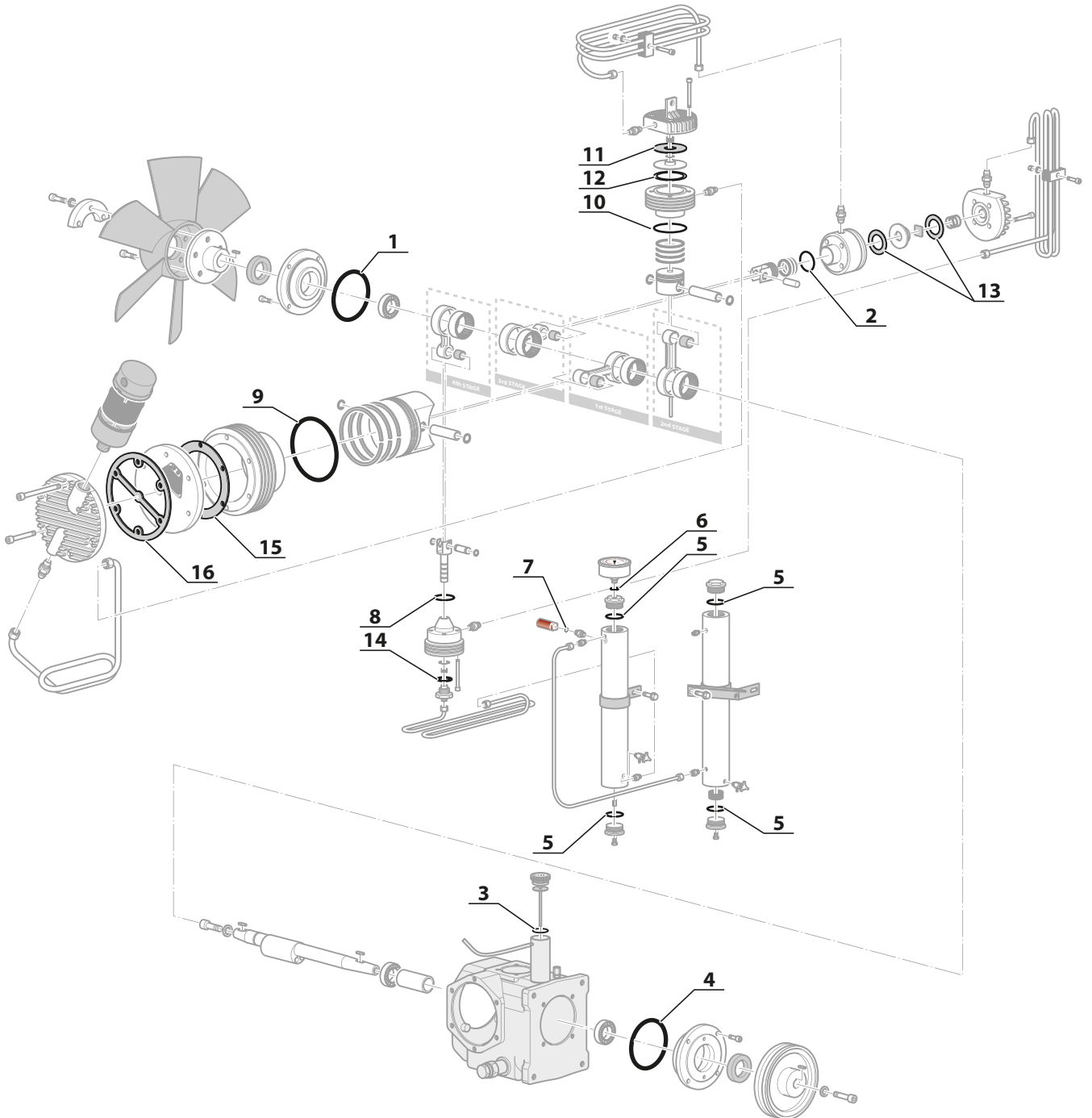
**KIT3a - 232bar SC000251/232  
KIT3b - 300bar SC000251/300**



**GUARNIZIONI GRUPPO POMPANTE MCH-6 - GASKETS PUMPING GROUP MCH-6**

Rif. Pos.	Q.tà Q.ty	Codice Code	Descrizione	Description
1	10	OR-2300/R	KIT DA 10 OR 2300 NBR 90 SH	KIT WITH 10 OR 2300 NBR 90 SH
2	10	OR-2093/R	KIT DA 10 OR 23,52X1,78 NBR 90 SH	KIT WITH 10 OR 23,52X1,78 NBR 90 SH
3	10	OR-4081/R	KIT DA 10 OR 20,22X3,53 NBR 90 SH	KIT WITH 10 OR 20,22X3,53 NBR 90 SH
4	10	OR-2250/R	KIT DA 10 OR 2250 NBR 90 SH	KIT WITH 10 OR 2250 NBR 90 SH
5	10	OR-4112/R	KIT DA 10 O-RING 4112 NBR 90 SH (28,17X3,53)	KIT WITH 10 O-RING 4112 NBR 90 SH (28,17X3,53)
6	10	OR-2018/90/R	KIT DA 10 O-RING 2018 NBR 90 SH (4,48X1,78)	KIT WITH 10 O-RING 2018 NBR 90 SH (4,48X1,78)
7	10	OR-114/90/R	KIT DA 10 O-RING 114 NBR 90 SH	KIT WITH 10 O-RING 114 NBR 90 SH
8	10	OR-2106/R	KIT DA 10 OR 26,7X1,78 NBR 90 SH	KIT WITH 10 OR 26,7X1,78 NBR 90 SH
9	10	OR-2325/R	KIT DA 10 OR 82,28X1,78 NBR 90 SH	KIT WITH 10 OR 82,28X1,78 NBR 90 SH
10	10	OR-2162/R	KIT DA 10 OR 41X1,78 NBR 90 SH	KIT WITH 10 OR 41X1,78 NBR 90 SH
11	10	6-02-004/R	KIT DA 10 GUARNIZIONI RAME SUPERIORE 45X20X0,3	KIT WITH 10 UPPER COPPER GASKET 45X20X0,3
12	10	6-02-007/R	KIT DA 10 GUARNIZIONI RAME INFERIORE 51X40X0,3	KIT WITH 10 LOWER COPPER GASKET 51X40X0,3
13	10	6-03-009/R	KIT DA 10 GUARNIZIONI RAME	KIT WITH 10 COPPER GASKET
14	10	6-04-008/R	KIT DA 10 GUARNIZIONI RAME 18X26X1,5	KIT WITH 10 COPPER GASKET 18X26X1,5
15	1	6-01-009	GUARNIZIONE TESTA	HEAD GASKET
16	1	6-01-025	GUARNIZIONE COPERCHIO	COVER GASKET

**GUARNIZIONI GRUPPO POMPANTE MCH-6 - GASKETS PUMPING GROUP MCH-6**





AEROTECNICA COLTRI Spa  
Via Colli Storici, 177  
25015 DESENZANO DEL GARDA (BS) ITALY  
Tel. +39 030 9910301 - Fax. +39 030 9910283  
[www.coltri.com](http://www.coltri.com)

LP-MCH6-1017